

## Breathing air system

# BSP-MT 1-8

Dokument-ID: DMN-BSP-MT-08/R09



## Operating instructions

398H272157

Revision09—07/2016/ EN

CE 0525

# Declaration of Conformity

**Parker Hannifin Manufacturing Germany GmbH & Co. KG**  
**Gas Separation and Filtration Division EMEA**

**Im Teelbruch 118**

**D – 45219 Essen Kettwig**

declare under our sole responsibility that the products

**breathing air system**

**series BSP-MT 3–8**

**assembly type: assembly acc. to Art. 4 Nr. 2b,**

which this declaration refers to, conform to Directive **2014/68/EU** and were subjected to a conformity assessment according to Annex III (Module A).

The assembly consists of pressure appliances according to the classification list (attached to the technical documentation provided by the manufacturer).

Pressure vessel					
Dryer	Quantity	Allowable pressure (PS)	Volume [l]	Category (PED)	Module
BSP-MT 3	3	16	3,2	I	A
BSP -MT 4	3	16	5,2	I	A
BSP -MT 6	3	16	7,8	I	A
BSP -MT 7	3	16	10,4	I	A
BSP -MT 8	3	16	12,5	I	A

Piping				
Dryer	Allowable pressure (PS)	Dimensions (DN)	Category (PED)	Module
BSP -MT 3	16	DN8	Art.4.3	Art.4.3
BSP -MT 4	16	DN8	Art.4.3	Art.4.3
BSP -MT 6	16	DN15	Art.4.3	Art.4.3
BSP -MT 7	16	DN15	Art.4.3	Art.4.3
BSP -MT 8	16	DN20	Art.4.3	Art.4.3

Filter						
Dryer	Filter	Quantity	Allowable pressure (PS)	Volume [l]	Category (PED)	Module
BSP -MT 3	GL2	3	16	0,26	Art.4.3	Art.4.3
BSP -MT 4	GL2	3	16	0,26	Art.4.3	Art.4.3
BSP -MT 6	GL5	3	16	1,07	Art.4.3	Art.4.3
BSP -MT 7	GL5	3	16	1,07	Art.4.3	Art.4.3
BSP -MT 8	GL7	3	16	1,07	Art.4.3	Art.4.3

The following standards / technical specifications were used:

- harmonized standards: DIN EN ISO 12100:2011-03, DIN EN 61000-6-2, DIN EN 60204
- European Pharmacopoeia 2000

The following other EU directives were used:

- 2014/30/EU
- 2014/35/EU

Essen,

19.07.2016

**Datum / Date**

**i. V. Dr. Jürgen Timmler**

Leiter Technik und Entwicklung /  
Manager Engineering and Development

# Manufacturer's Declaration

We,

**Parker Hannifin Manufacturing Germany GmbH & Co. KG**  
**Gas Separation and Filtration Division EMEA**

**Im Teelbruch 118, 45219 Essen, Germany,**

declare under our sole responsibility that the products

**Compressed Air Adsorption Dryer**

**BS-MT 1-2**

to which this declaration refers,

- comply with the basic requirements of the directive for pressure equipment 2014/68/EU,
- but must not bear the CE mark due to Art. 4 Para. 3, 2014/68/EU.

The quality control system is monitored by *Lloyd's Register Quality Assurance GmbH, Hamburg* (code no. 0525).

The following standards and technical specifications were applied:

- harmonised standards:  
DIN EN ISO 12100:2011-03, DIN EN 61000-6-2,  
DIN EN 60204
- European Pharmacopoeia 2000

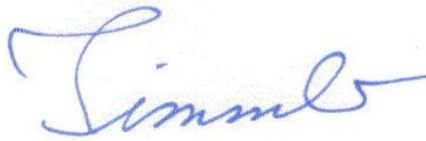
The following additional European directives were applied:

- 2014/30/EU
- 2014/35/EU

**Essen,**

19.07.2016

**Datum / Date**



**i. V. Dr. Jürgen Timmler**  
Leiter Technik und Entwicklung /  
Manager Engineering and Development

# Machine passport

<b>Type designation</b>	<b>BSP-MT</b>
Order no.	
Project no.	
Build no.	
Year of manufacture	

It is the responsibility of the owner,

- to enter for the first time any appliance data not stated above,
- to keep these appliance data up to date.

The above-stated appliance data provide for a clear identification of the dryer and its components, and significantly facilitate any service measures.

Further important data on the dryer such as the details on the permissible operating pressure and the electrical connection are found on the type plate (for position of the type plate see page 12).

# Table of contents

<b>Manufacturer's Declaration .....</b>	<b>4</b>
<b>General information .....</b>	<b>8</b>
Manufacturer's details .....	8
Details on the dryer .....	8
About these operating instructions.....	9
<b>For your own safety .....</b>	<b>10</b>
Intended use of the dryer.....	10
General safety notes .....	10
Signs and hazard areas on the dryer.....	12
<b>Transportation, installation and storage.....</b>	<b>14</b>
Information on transportation packaging.....	14
What to do in the case of transport damage occurring?.....	14
Transporting and installing the dryer.....	15
Storing the dryer.....	17
<b>Technical product description .....</b>	<b>18</b>
Summary drawing .....	18
Function description .....	18
Available options .....	21
<b>Installation.....</b>	<b>23</b>
Preconditions for installation.....	23
Connect piping .....	24
Installing the electrical connection .....	25
<b>Start-up.....</b>	<b>27</b>
Requirements for initial start-up.....	27
Setting times of the operating phases.....	27
Overview of operating and control elements.....	28
Emergency shutdown .....	30
Start up dryer .....	30
Changing cycle mode.....	32
<b>Monitoring dryer operation.....</b>	<b>34</b>
With dewpoint-sensing control (optional).....	34
<b>Shutdown and restart dryer.....</b>	<b>35</b>
Emergency shutdown .....	36
Depressurising and shutting down the dryer.....	36
If work is to be carried out on the electrical system.....	37
Restart .....	37

<b>Maintenance and repair of the dryer.....</b>	<b>39</b>
Notes on maintenance .....	39
Regular maintenance intervals.....	40
Instructions for use of the dongle .....	41
Daily maintenance tasks .....	41
Maintenance work to be completed every 12 months.....	42
Maintenance work to be completed every 24 months.....	49
Maintenance work to be completed every 48 months.....	49
<b>Identify and eliminate faults .....</b>	<b>51</b>
Summary of faults.....	51
<b>Index .....</b>	<b>53</b>
<b>Annex with technical documentation .....</b>	<b>56</b>
Technical data .....	57
Replacement and wear parts list.....	58
Logic control diagram.....	60
Flow diagram .....	62
Dimensional drawing.....	63

## General information

### Manufacturer's details

---

#### Name and address



*Parker Hannifin Manufacturing Germany GmbH & Co. KG  
Gas Separation and Filtration Division EMEA*

Im Teelbruch 118  
D-45219 Essen

Phone        ++49 (0) 2054 934-0  
Fax            ++49 (0) 2054 934-164

Internet      <http://www.parker.com>

### Details on the dryer

---

#### Standard equipment

Breathing air system, hereafter referred to as dryer, consisting of:

- 1 double-chamber hollow section vessel, filled with drying agent
- 1 single-chamber hollow section vessel, filled with purifying agent
- 2 upstream filter
- 1 downstream filter
- Muffler
- Control system

Associated documents

- Operating instructions (present)
- Technical documentation (see annex)
- Circuit diagrams (see separate document)
- Operating manual for installed filters (separate document)

#### Notes on supplementary documents

Supplementary documents such as operating manuals for options or pertaining components must always be heeded. They contain additional information, e.g. regarding maintenance, and are therefore necessary for safe operation of the plant.



---

## About these operating instructions

---

These operating instructions contain basic information on the safe use of the dryer.

### Characters and symbols used

- ▶ Work steps that you have to carry out in the sequence stated are marked by black triangles.
- Lists are marked by a small box.

**Note:**

**These notes provide you with hints and information on the safe and efficient handling of machines and devices.**

**Warning!**

**These safety notes warn against damage to property and help you to avoid such damage.**

**Danger!**

**These danger notes with a grey background warn against personal injury and/or danger to life and limb; danger notes help you to avoid serious or life-threatening situations for yourself and/or third parties.**

### Target group of these operating instructions

These operating instructions are intended for all persons working on and using the dryer. We assume that all such persons are specialist personnel according EN ISO 7396-1.

### Operating instructions: handling

These operating instructions must be continuously available at the site where the adsorber is used. We recommend to prepare a copy and to keep the same in a safe and freely accessible place next to the adsorber. Keep the original document in a safe place.

## For your own safety

The dryer has been built in accordance with the state of the art and the recognized technical safety regulations. Nevertheless, there is a risk of personal injury and damage to property when the dryer is used, if

- it is operated by non-qualified personnel,
- not used within its intended design specifications,
- is repaired or maintained incorrectly.

**Note:**

**For your own safety and to prevent machine damage, please note the information and safety notes in these operating instructions when working with the dryer.**

## Intended use of the dryer

The dryer is exclusively designed for the drying and purifying of compressed air. Depending on defined input conditions, the compressed air is processed for use as industrial breathing air in accordance with EN 12021.

The dryer is designed for compressed air, which is free from aggressive water, oil, and solid matter constituents.

As standard, the dryer is intended to be sited within a building and protected against the weather.

The dryer may be operated only in accordance with the data on the type plate and in accordance with the contractual conditions.

## Suspected misuse

The dryer must not be misused as a climbing aid! Pipes, valves, and similar fittings have not been designed for such loads. They could fracture, tear off, or become damaged in another way.

## General safety notes



### Warning against sudden air ejection

**When the hollow section vessels are depressurised, air flows suddenly out of the sound absorber.**

- **This causes a sudden loud cracking noise.**
- **Due to particles carried in the air flow, there is a very considerable risk of eye injury.**

**When working on the dryer, always wear eye and ear protection equipment.**



### Hazard due to a sudden release of pressure!

**Never remove any parts of the dryer, or manipulate the same in any way, for as long as the plant is still pressurised! A sudden escape of pressure may cause serious injuries.**

**Before carrying out any work on the dryer, first depressurise the plant.**

**Risk of injury due to voltage-carrying parts!**

The electrical supply cable and external power lines are live even after the dryer is switched off and, in the event of body contact, may cause serious injury! Before carrying out any work on the electrical system, the electrical supply cable and all external power lines must be made voltage-free!

**Personnel qualification**

Only authorized and qualified specialist personnel may be tasked with the work on the dryer described in these operating instructions.

**Conversions and modifications**

Without prior approval by the manufacturer, no conversions and modifications must be made to the dryer! Any non-approved modifications may restrict the operational safety of the dryer and cause damage to property or personal injury.

**Handling of drying and purifying agents**

The drying and purifying agents used do not pose any risk to health. However, when filling and emptying the hollow section vessels, increased dust generation may occur. Please comply with the following instructions:

- When handling drying or purifying agents, always wear a dust mask and eye protection!
- If a spillage occurs, any spilt drying or purifying agent must be taken up immediately. There is a risk of skidding!

**Disassembly and disposal****Hazard due to a sudden release of pressure!**

Never remove any parts of the dryer, or manipulate the same in any way, for as long as the plant is still pressurised! A sudden escape of pressure may cause serious injuries.

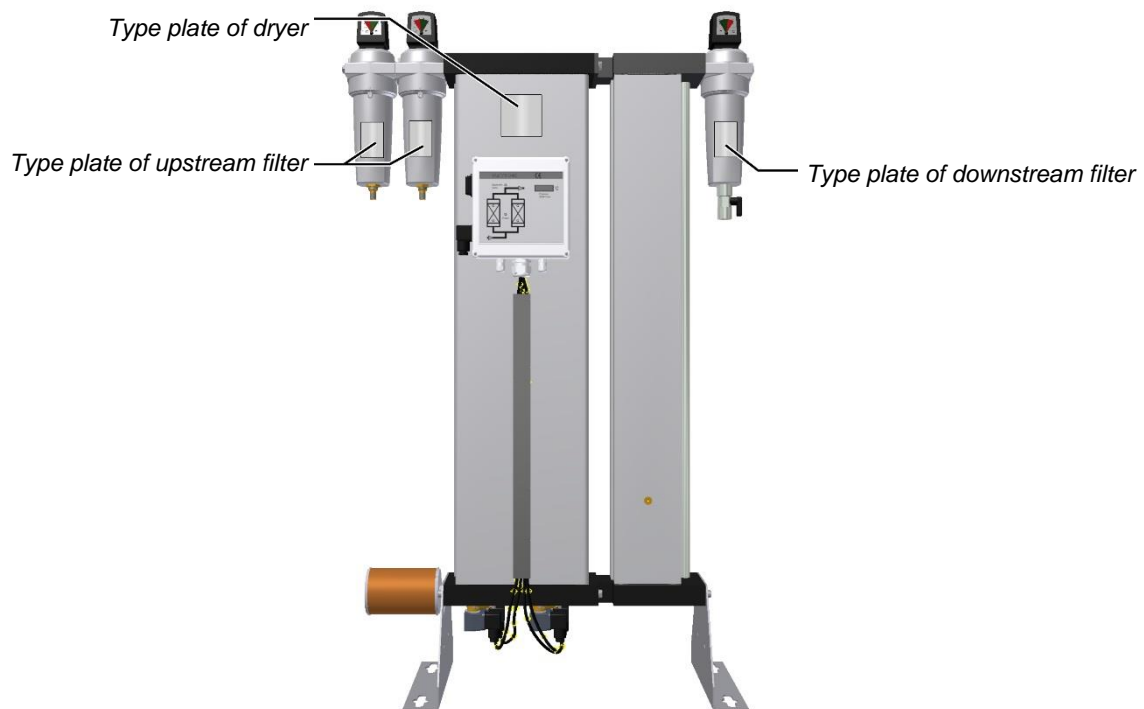
**Before carrying out any work on the dryer, first depressurise the plant.**

- Dispose all parts of the dryer, the drying and purifying agents and all other operating materials in an environmentally safe way and in accordance with all current statutory regulations.

## Signs and hazard areas on the dryer

---

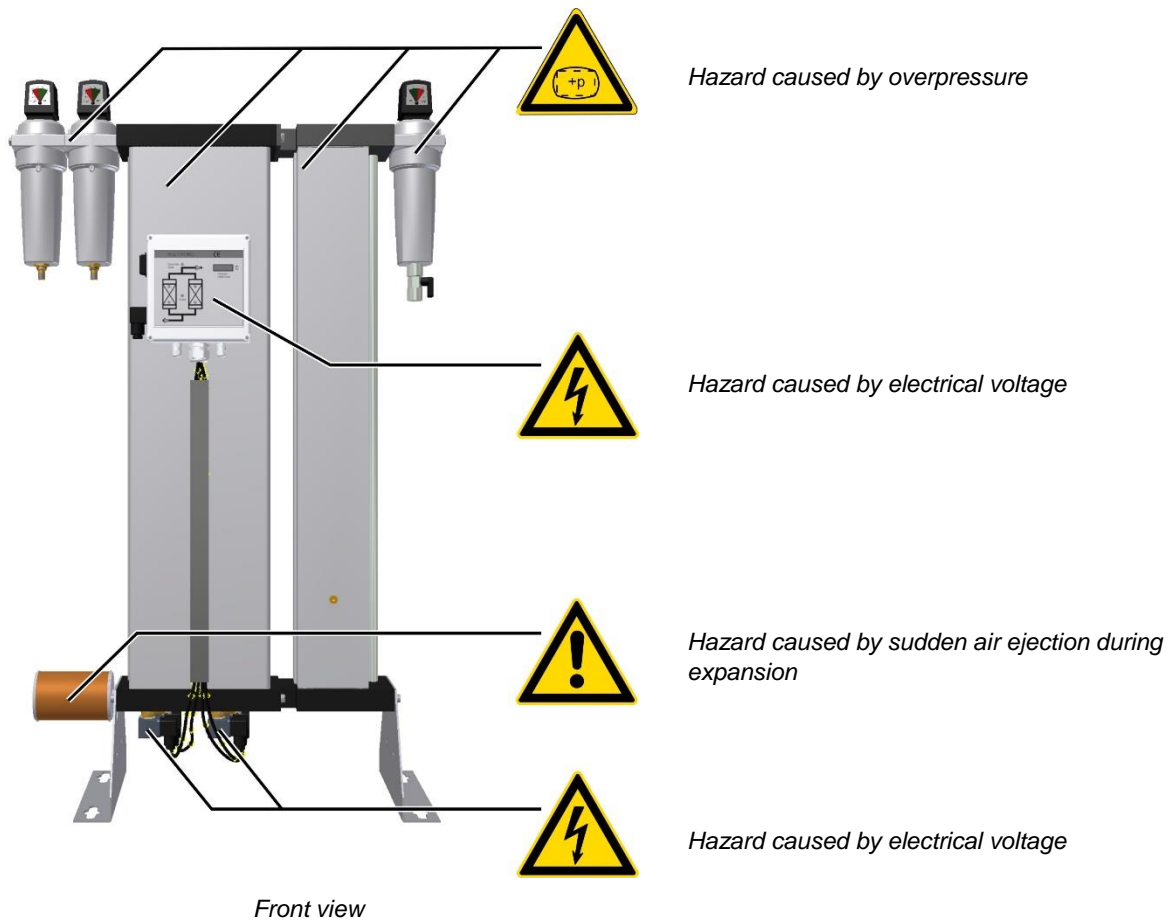
### Signs and labels



Front view

Please note these signs on the dryer. Keep them complete and always legible.

## Hazard areas on the dryer



Hazard area	Symbol in operating instructions
<p><b>Warning against hazardous electrical voltage</b></p> <p>Different parts of the dryer carry electrical current. These parts may be connected, opened, and maintained by authorized specialist personnel only.</p>	
<p><b>Warning against overpressure</b></p> <p>The entire dryer is under pressure. Before commencing any work, the plant must be depressurised.</p>	
<p><b>Warning against sudden air ejection</b></p> <p>When the hollow section vessels are depressurised, air flows suddenly out of the sound absorber.</p> <ul style="list-style-type: none"> <li>■ This causes a sudden loud cracking noise.</li> <li>■ Due to particles carried in the air flow, there is a very considerable risk of eye injury.</li> </ul> <p>When working on the dryer, always wear eye and ear protection equipment.</p>	
<p><b>Risk of skidding</b></p> <p>When emptying and filling the hollow section vessels with drying agent, there is a risk of skidding caused by spilt drying agent.</p>	

## Transportation, installation and storage



### **Danger due to incorrect transportation!**

**The dryer must be transported by authorized and qualified specialist personnel only. During transportation all applicable national regulations for accident prevention must be complied with. Otherwise there is a risk of personal injury.**

**Always adhere to the stickers and notes on the packaging of the dryer!**

The manufacturer will not be liable for any damage caused by incorrect storage or incorrect transportation. Please note therefore the following instructions as well as the storage instructions on page 17.

## Information on transportation packaging

Depending on the type of transportation, the dryer is delivered in different types of packaging:

- All transportation types: the apertures of the dryer are closed off by means of plugs.
- In addition, when transportation is effected by air: the dryer is packaged in a wooden box.
- In addition, when transportation is effected by ship: the dryer is packaged in a film material and in a wooden box.

### **If the packaging is undamaged**

- ▶ The undamaged packaging should be removed only at the final installation site, as it offers protection against any weather influences.

## What to do in the case of transport damage occurring?

- ▶ Check whether only the packaging or the dryer itself were damaged.
- ▶ Inform the haulier immediately in writing of any damages.
- ▶ Contact the manufacturer urgently in order to report the damage.



### **Warning!**

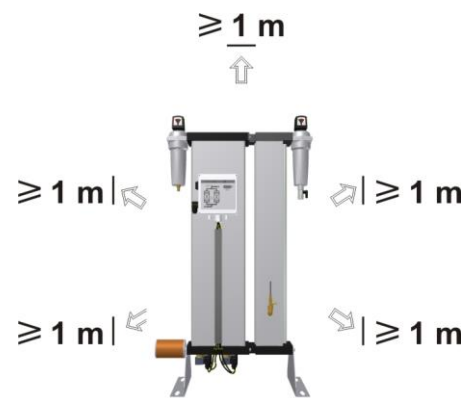
**A damaged dryer must not be taken into operation! Damaged components may lead to functional faults and possibly cause further damage.**

## Transporting and installing the dryer

### Requirements for the installation site

The conditions at the installation site have a large influence on the functional capacity of the dryer and the service life of the drying and purifying agents. In order to ensure a mode of operation, which is as continuous as possible, and low maintenance, the installation site must meet the following requirements:

- The installation site must be located within a building. Protect the dryer against moisture.
- The ambient temperature must not drop below +1,5 °C (34,7 °F).
- Heed the dryer's noise emission when selecting the installation location.
- The installation area must be level, firm and vibration-proof. It must have the necessary carrying capacity for the weight of the dryer. The weight of the dryer is specified in the technical data section of the annex.
- The dryer should be installed with sufficient spacing at the top, sides and rear, in order to be able to carry out maintenance work and change the drying and purifying agents without any hindrances (see figure).



*Necessary spacing at the top and sides = min. 1 m*

If in doubt, the installation site must be inspected by specialists. If you have any queries in this regard, please contact the manufacturer.

### Transporting and installing the dryer

#### Transportation using lifting or forklift truck



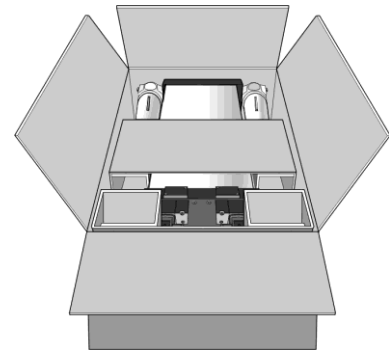
#### **Warning against damage to property!**

Dependent on its size, the dryer is delivered in a cardboard box or in horizontal position on a transport pallet. Top and sides have not been designed for mechanical loads.

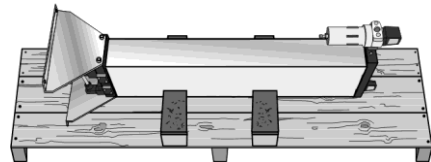
**Do not place any load onto the top face. Do not stack.**

**Therefore, always transport the dryer on a lifting or forklift truck.**

- ▶ Secure the cardboard box or pallet on the lifting or forklift truck against sliding movements.
- ▶ Transport the dryer to its installation site.
- ▶ Remove the packaging of the dryer.



BSP-MT 1-4: Dryer in a cardboard box



BSP-MT 6 -8: Dryer on transportation pallet



#### Note the weight of the dryer!

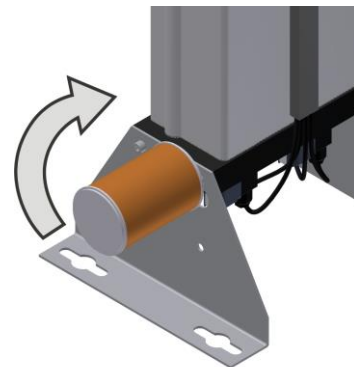
Depending on its size, the dryer may weigh up to approx. 110 kg. Take this into account with regard to the following work steps!

- ▶ Carefully place the dryer in an upright position.
- ▶ Place the dryer at its installation site.

#### Anchor dryer to the floor

The upright stand profiles of the dryer are provided with pre-drilled anchorage bores (see figure).

- ▶ Use suitable attachment material to anchor the dryer to the floor.
- ▶ *In the case of vibrating floors:* place the dryer on suitable vibration dampers.



Bores on the stand profiles

#### Mount dryer on the wall

The stand profiles can be rotated by 90° towards the rear side of the dryer and secured in this position (see arrow in above figure).

- ▶ Remove the screws at the muffler and the stand profiles. Rotate the stand profiles by 90° until the auxiliary holes for the securing screws and the muffler are aligned with each other. Retighten the screws securing the stand profile and the muffler.
- ▶ Use suitable attachment material of sufficient carrying force to anchor the dryer to the wall.



---

## Storing the dryer

---

If the dryer is to be stored for an extended period of time, the storage location must meet the following conditions:

- The dryer must not be stored in the open air.
- The storage room must be dry.
- The storage room must be free from dust or the dryer must be covered by a protective sheet.
- The storage room must have an ambient temperature of at least +1 °C (33,8 °F).

In order to store the dryer proceed as follows:

- ▶ Take dryer out of operation as described on page 36.
- ▶ Ensure that the compressed air inlet valve installed by the owner, and the installed compressed air outlet valve installed by the owner, are both closed, and that the dryer is depressurised.
- ▶ Disconnect dryer from the compressed air system.
- ▶ Disconnect the dryer from the electrical power supply and all external lines.
- ▶ Use film material or similar to close the compressed air inlet apertures and compressed air outlet apertures on the dryer in order to protect them against contamination.
- ▶ If possible cover dryer with a protective sheet.

The dryer can now be stored for long periods.

**Note:**

**If you wish to take the dryer back into service after an extended period of storage, please proceed as described for its first commissioning and start-up (see page 31).**

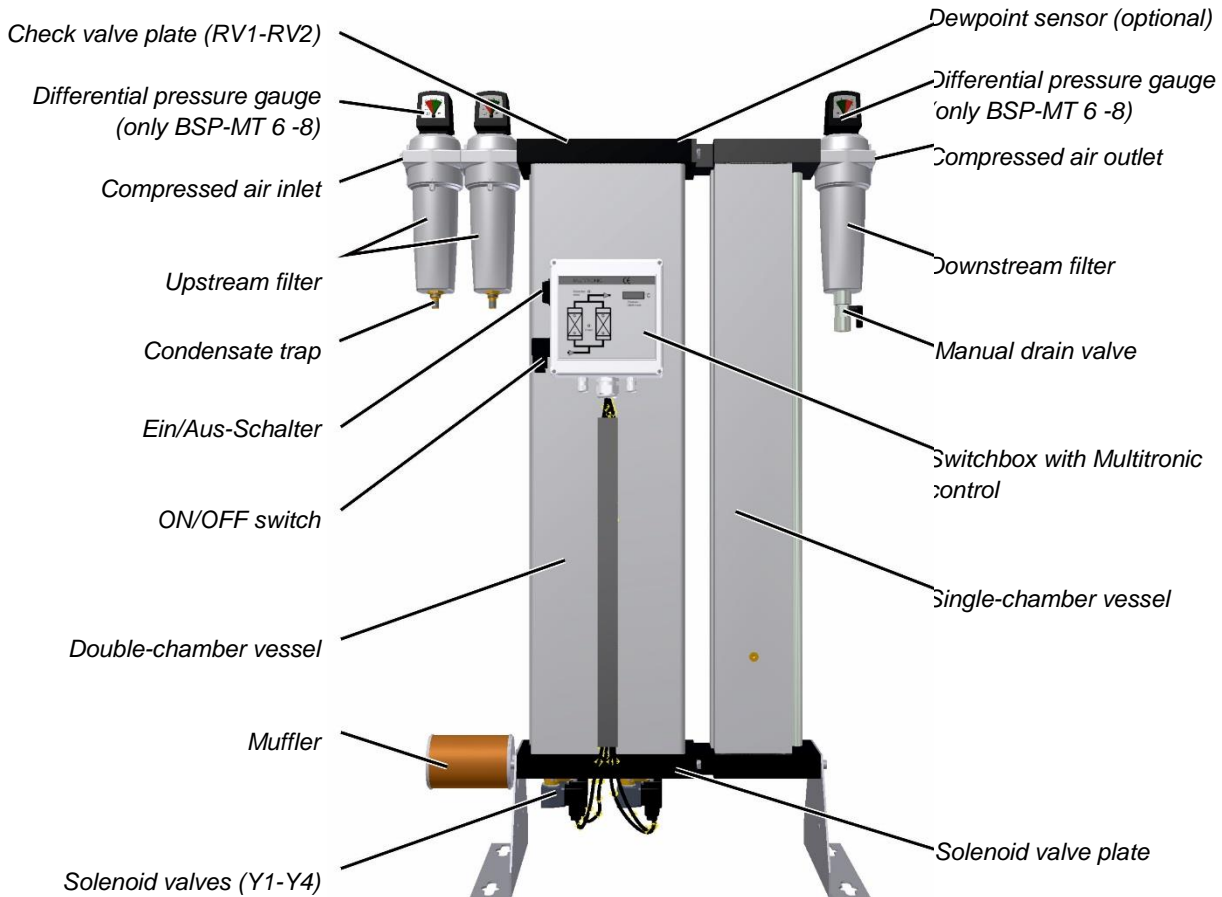
### Store drying and purifying agents

- ▶ Do not store drying and purifying agents in the open air.
- ▶ Protect drying and purifying agents against humidity.

# Technical product description

## Summary drawing

### Front view



## Function description

The dryer dries and purifies the compressed air supplied by the compressor and provides medical breathing air.

The air is thereby dried alternately in one of the double-chamber of the hollow section vessel. The dried air is subsequently purified in the third chamber, whereby oil residue and other contaminants are removed.

Before the compressed air is fed into the dryer, it flows through upstream filters where dust, dirt, oil and water droplets are removed. Thus, the installed upstream filter is also used for extending the service life of the drying agent.

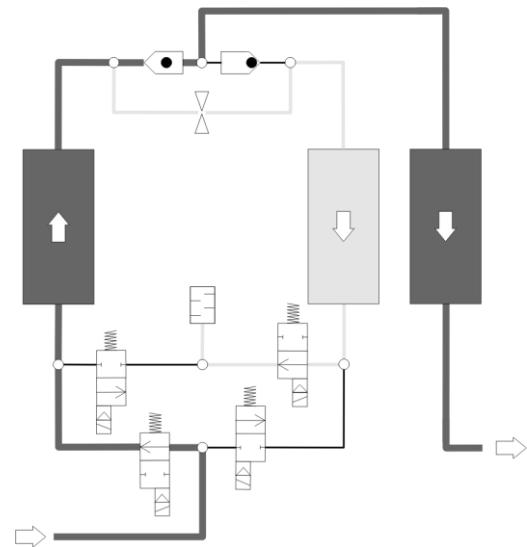
The installed downstream filters clean the compressed air from drying agent abrasions, before it is fed into the compressed air system.

The two chambers of the hollow section vessel contain an extremely porous drying agent by means of which humidity is removed from the compressed air and stored just as in a sponge. The stored humidity is then removed again from the drying agent and re-introduced into the ambient environment.

To this end, the two chambers alternate between different operating modes. Whilst in one vessel, compressed air is de-humidified (adsorption), in the other vessel the humid drying agent is prepared for another charge (regeneration). These two states, which run in parallel during compressed air preparation, are described below.

## Adsorption

Via a compressor, humid compressed air is supplied to the upstream filters. From here, the compressed air flows upwards through the absorption chamber, which is pressurised. In so doing, the drying agent dehumidifies the air. The dried compressed air is supplied to the pipe network via the purifying chamber and the downstream filter.



*Adsorption in the left drying agent chamber*

## Regeneration (running in parallel to the adsorption)

At the same time the other chamber is prepared for a renewed take-up of humidity. This process is called regeneration.

The regeneration is subdivided into three phases: expansion, dehumidification, and pressure build-up.

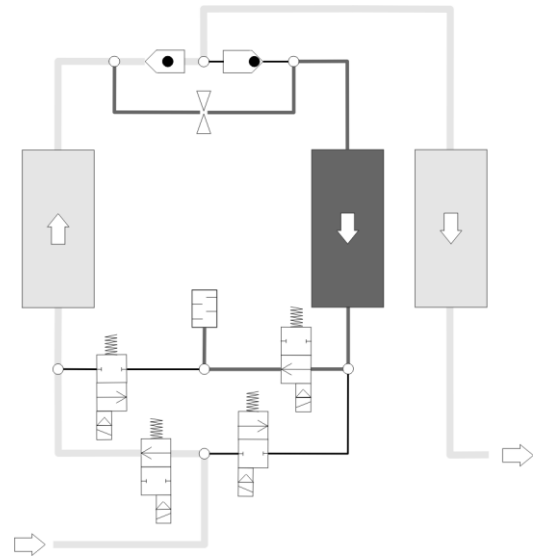
With the *dewpoint-sensing control* option, the regeneration phase is followed by a standby phase.

### Expansion phase

During the expansion phase, the pressure in the regenerating chamber is released via the muffler down to ambient pressure within just a few seconds. The outflow of the compressed air becomes noticeable due to a sudden powerful flow noise at the muffler.

### Dehumidification phase

Prior to being released into the purifying chamber, dried compressed air is bled by means of an orifice plate. This separate regeneration air flow is fed through the depressurised chamber.

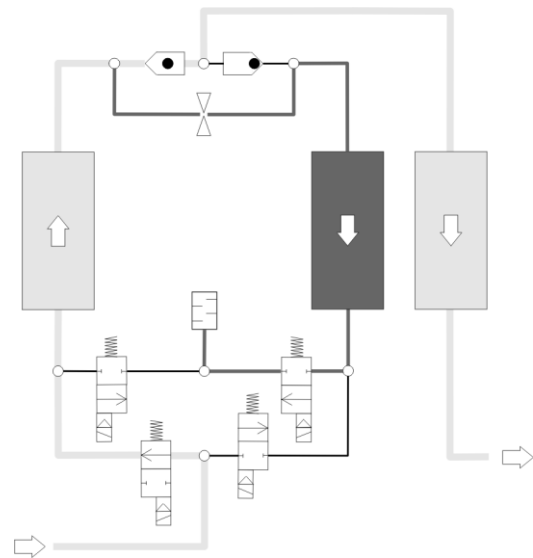


*Regeneration in the right drying agent chamber*

The humidity stored in the drying agent is taken up by the air flow and expelled into atmosphere via the muffler.

### Pressure build-up phase

After dehumidification the pressure in the regenerated hollow section vessel is built up to operating pressure, so that the switchover from regeneration to adsorption can take place at operating pressure level.



*Pressure build-up in the right drying agent chamber*

### Standby phase (only with the dewpoint-sensing control option)

When in standby phase, the fully regenerated chamber is ready for adsorption operation. The system is switched to this chamber, as soon as the measured dewpoint at the compressed air outlet has reached the set dewpoint value for switchover.

## Switchover

When the drying agent in the adsorbing chamber has taken up a sufficient level of humidity, then the switchover between the vessels will be effected between the vessels. Following switchover, the above-described process is repeated, with the adsorption and regeneration now taking place in the respective different vessel.

---

## Available options

---

The following options are available for the dryer:

- Start-up device
- Signalling contacts of control system and compressor synchronisation
- Dewpoint-sensing control
- Fine filter muffler
- Nozzle kit

### Start-up device

A start-up device basically consists of a pressure holding device, which is located at the rear of the dryer. The pressure holding device ensures that pressure can build up in the dryer and adsorption take place.

It is always required when an empty compressed air reservoir or an empty compressed air system must be filled downstream of the dryer (e.g. following weekend shutdowns and when the pressure in the compressed air system can frequently drop below the stated operating pressure).

### Signalling contacts of the control system & compressor synchronisation

The control system is equipped with a digital input for the synchronised operation with a compressor. This feature allows for synchronised and thus efficient dryer operation with discontinuous compressor operation.

Compressor synchronisation helps reduce energy costs, as the dryer can be operated independently of the compressor.

The compressor synchronisation controller is a higher-level controller than the pressure dew point controller (see below). When both options are in place, the compressor synchronisation controller is treated as the prime controller.

The control system can also be equipped with an optional operation signalling contact with which the dryer operation can be monitored from an external device. Dryers with the optional *dewpoint-sensing control* are equipped with such a contact as standard. It is used for the transmission of operating signals and for the output of dewpoint alarms.

### Dewpoint-sensing control

With a dewpoint-sensing control system, you can operate the dryer in fixed or variable cycles. In the fixed cycle, switchover is effected after a fixed time period (usually after 5 minutes). In the variable cycle, the switchover is effected in relation to the dew point reached and the charging of the drying agent. The adsorption time in the variable cycle amounts to 10 minutes maximum.

### Fine filter muffler

A fine filter muffler is used to reduce the noise emission of the dryer to lower levels than the standard muffler can provide. If installed, the fine filter muffler replaces the original installed muffler.

## **Nozzle kit**

In the case that the operating pressure deviates from the standard design pressure (7bar<sub>e</sub>) it is possible that the amount of necessary regeneration air changes. This effect may have a negative impact on the cost-effectiveness of the dryer. To prevent this, it is possible to replace the built in regeneration air nozzle by a nozzle with a modified bore. This replacement optimizes the regeneration air consumption and therefore restores the energy efficiency of the dryer. To receive more information on this conversion, please contact the manufacturer.

# Installation



**Only authorized and qualified specialist personnel may carry out work on pipes and electrical systems.**

As soon as the dryer has been set up at its installation location, you can install the compressed air infeed and outlet lines make the electrical connections.

## Preconditions for installation

For a correct installation the following preconditions must be met on the part of the owner.

- Connections and lines for the infeed and outfeed of compressed air must be provided.
- A compressed air inlet valve as well as a compressed air outlet valve must be installed by the owner, so that the dryer can be installed and maintained in a depressurised condition (see also the installation example on page 24).
- All pipes, couplings, and connections must have the correct diameter and match the operating pressure.



**Hazard caused by exceeding the limit values!**

**A safety device must be provided in order to protect against the maximum permissible operating pressure from being exceeded.**

**The safety device must be installed so that the dryer is reliably protected from exceeding the maximum permitted operating pressure even when the temperature of the compressed gas increases.**

The data required to meet these preconditions are contained in the technical documentation attached in the annex.



**Warning!**

**If the above preconditions are not complied with, a safe operation of the dryer cannot be assured. Also, the functionality of the dryer may be detrimentally affected.**

## Connect piping

In order to ensure that the dryer operates optimally, the dryer must be assembled into the compressed air system free of all stresses.

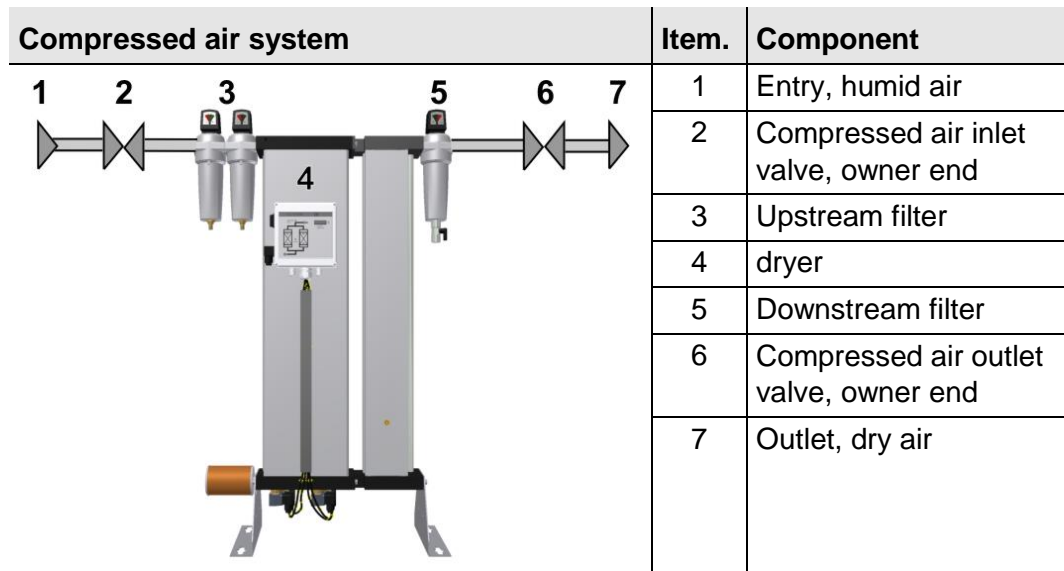
- ▶ Ensure before connection that all infeed and outfeed compressed air lines and valves are clean and undamaged.
- ▶ Check the bolt connections and retighten if necessary, as they could have worked loose during transportation.
- ▶ Remove plugs on the pressure inlet and outlet.



**All piping must be free from any stress and tension whatever!**  
**Pipes subject to stress may burst due to the load placed on them during operation. This may cause damage to property and personal injury.**

- ▶ Use steel pipes to connect the dryer to the compressed air system.

The following figure shows an installation example.



*Example of an installation*

- ▶ The connection lines for the upstream filter (3) are to be installed at a slight incline in the direction of the upstream filter.
- ▶ One shutdown valve each (2, 6) is to be installed at the compressed air inlet and outlet ends of the dryer.



## Installing the electrical connection



### Warning against electrical voltage

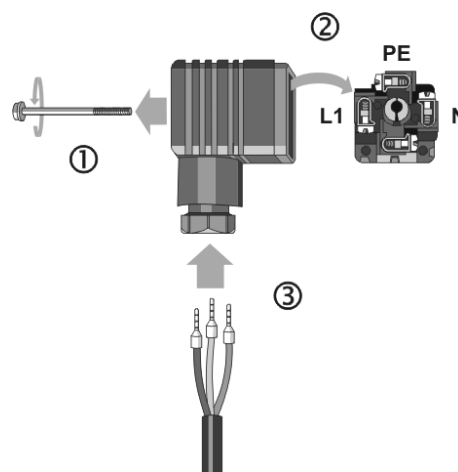
Only qualified specialist personnel may carry out work on the electrical system!

### Installing the supply cable

The components of the dryer have been connected to the control cabinet at the factory. You only need to connect the control cabinet to the electrical supply cable.

The switchbox is provided with a connector where electrical power must be connected.

- ▶ Ensure that the cross-section of the electrical supply cable corresponds to the power rating of the dryer and the electrical voltage provided by the customer.
- ▶ Make the electrical supply cable to the dryer voltage-free.
- ▶ Secure the electrical supply cable to the dryer against switch-on.
- ▶ Undo bolt (1) on the connector and withdraw connector with seal from the switchbox.
- ▶ Use a suitable tool to remove the terminal block from the connection box.
- ▶ Undo the PG union and pull the cable through the aperture (3). The exposed phase ends should not be longer than 35 mm max.
- ▶ Now make the cable connection as follows:
  - Earth to terminal PE
  - L1 to terminal 1
  - N to terminal 2



Connect electrical cable to device adapter

Terminal 3 is not used.

- ▶ Fit terminal block into the connector and use bolt to remount the connector with seal on the switchbox.
- ▶ In all phases the dryer must be protected against short circuits by means of fuses.
- ▶ In order to relief cable strain, re-tighten the PG union.

## Connecting the external signalling lines

### Note:

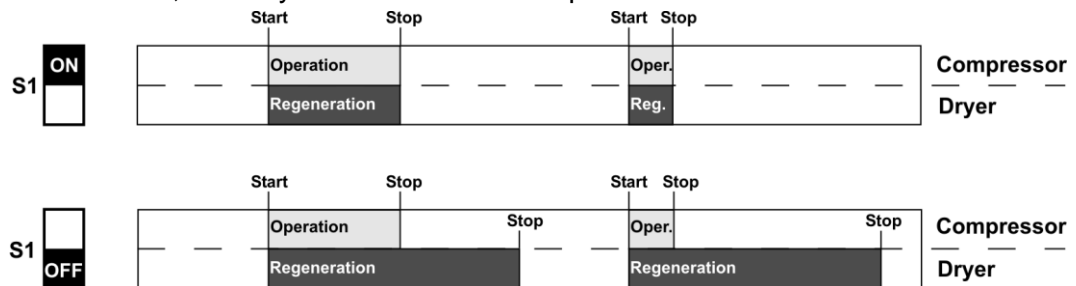
For the use of the dryer in redundant systems (according to the European Pharmacopoeia) with imposed control, we recommend

- operation of the dryer in synchronised compressor mode, and
  - operating intervals of minimum 24 hours,
- in order to achieve the desired dewpoint and regular cycles.

### For compressor synchronisation

The controller is fitted as standard with a digital input which makes the dryer regeneration dependent on operation of the compressor (switch S1 on the controller's circuit board, see also figure below).

If switch S1 is in the ON position, operation of the compressor and dryer regeneration run synchronously: When the compressor is stopped, the dryer regeneration also stops. When the compressor is restarted, regeneration also restarts. If switch S1 is in the OFF position, any regeneration process which has been started, is always continued until completed.



To install the external line, proceed as follows:

- ▶ Connect the signalling line to the potential-free busbar connection of the compressor to terminals 1 and 2 on the control board (see circuit diagram)

### Note:

The compressor synchronisation controller is a higher-level controller than the pressure dew point controller. When both options are in place, the compressor synchronisation controller is treated as the prime controller.

### For operation monitoring system (optional)

Operators have the option to connect the dryer to a fault signalling system, connecting the respective line to a potential-free operation signalling contact. With this option, the following statuses and events can for example be transmitted to a remote control room:

- Dryer on (contact made)
- Power supply disconnected (no contact)
- Dewpoint alarm (only with *dewpoint-sensing control* option, no contact)

To install the external lines, proceed as follows:

- ▶ Connect the lines of the fault signalling system to relay K5 (see circuit diagram)

## Check bolt connections

Before the initial start-up:

- ▶ Check all unions and bolt connections as well as the terminals in the control cabinet for secure seating; re-tighten if necessary.

# Start-up

## Requirements for initial start-up

For the first start-up the following preconditions must have been met:

- The pipe system is free from contaminations.
- All shutdown valves are closed.
- The dryer is correctly sited and installed.

## Checks before start-up

Ensure that

- all pipe, cable and bolt connections on the dryer have been retightened,
- no pipes chafe against body edges,
- all mountings are perfectly secure,
- the electrical connections are in safe contact and in good condition,
- owner-end and pressurised parts such as safety valves or other devices are not blocked up by dirt or paint,
- all compressed air system parts which are pressurised (valves, hoses etc.) are free from wear symptoms and defects.

## Setting times of the operating phases

In its standard version the dryer is delivered with a time-dependent control system. The phase sequence occurs in a fixed cycle.

With the optional dewpoint-sensing control, the dryer can also be operated at variable cycles (depending on the dewpoint).

The following table provides information on the duration of the individual phases.

Phase duration	Fixed cycle	Variable cycle
Adsorption	5 min	10 min, maximum
Regeneration, total	5 min	5 min
– of which: expansion time	~ 0.2 min	~ 0.2 min
– of which: dehumidification time	~ 4 min	~ 4 min
– of which: pressure build-up	~ 1 min	~ 1 min
Standby	—	~ 5 min, maximum

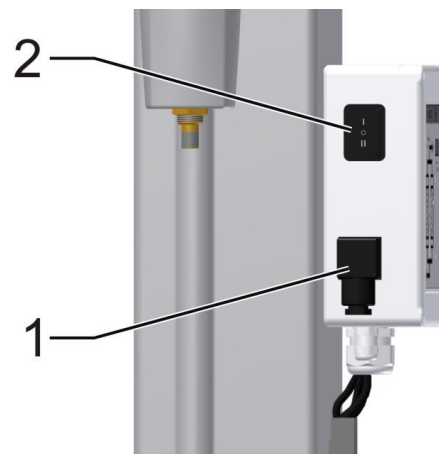
## Overview of operating and control elements

### ON/OFF switch

The ON/OFF switch (2) is located to the side of the switchbox and above the mains plug (1, see figure):

- If it is set to **0**, the power supply is disconnected and the dryer is switched off. The main valves (V1, V2) are open, while the expansion valves (V3, V4) are closed. This means that the air can circulate in the main processing direction, even if the dryer is switched off.
- If the switch is set to **I**, the dryer is switched on and begins to operate in fixed cycle mode (i.e. time-controlled).
- If the switch is set to position **II**, the dryer is switched on and begins to operate
  - with compressor synchronisation
  - in variable cycle mode (i.e. dew-point-controlled).

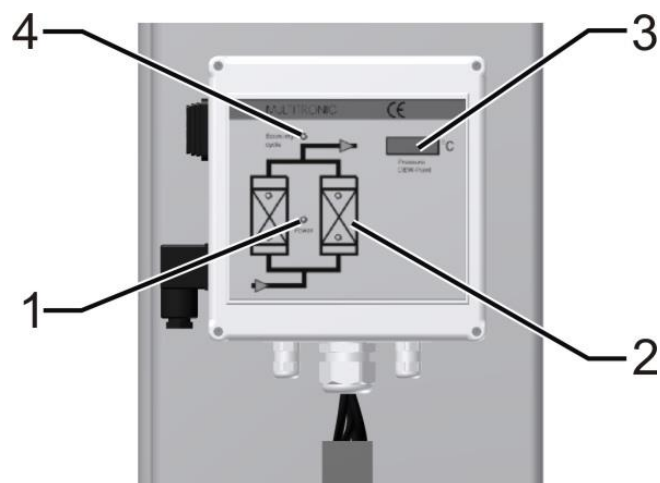
Position **II** is only relevant for operation with the optional *compressor synchronisation* and/or *dewpoint-sensing control*.



Switchbox with ON/OFF switch

### Display panel

The display panel at the switchbox is equipped with LEDs (light emitting diodes) and a digital display, indicating the operating status of the dryer:



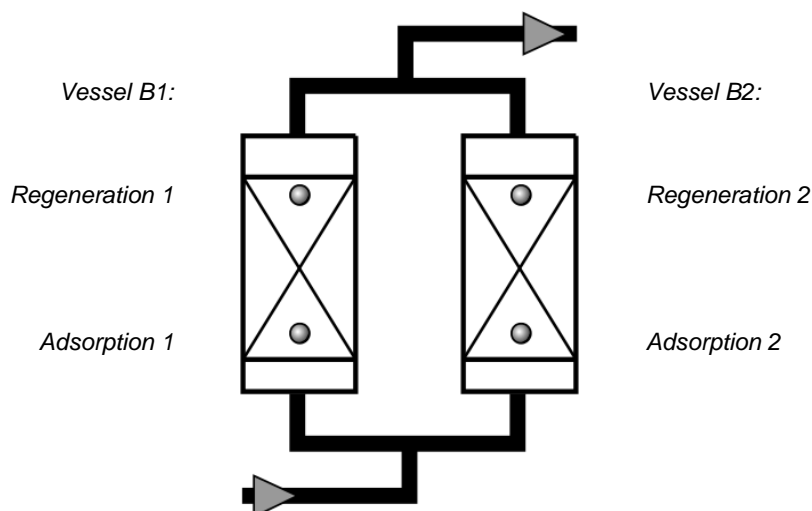
Display panel at the switchbox

#### LED Power (1)

LED is on when dryer is switched on.

### Flow diagram (2)

The current operating phases of the dryer are indicated by means of 4 LEDs:



Depending on the operating phase, the following LEDs might be on simultaneously:

*Adsorption B1 and regeneration B2* or  
*regeneration B1 and adsorption B2.*

### Digital display (3)

The digital display shows the individual programme steps and the respective remaining time. For details regarding the sequence of the individual processing steps and their duration, please refer to the logic control diagram, page 60.

Display		Explanation
2	215	Default display: The figure to the left indicates the current processing step; the figure to the right shows the remaining time in seconds.  In this example, step 2 is being completed, whereby there are 215 seconds remaining.
	<b>SEr.</b>	After 8000 operating hours, "SEr." (service) is displayed for periods of 1 minute, alternating with the default display. Notify the service personnel of the manufacturer, as a routine service is now due.
	<b>- 25</b>	With the <i>dewpoint-sensing control</i> option, the display shows the currently measured dewpoint instead of the default data. The range of display is -100 °C (-148 °F) to +20 °C (68 °F). If the measured dewpoint exceeds the preset alarm limit (5 °C (41 °F) above the switchover value), the displayed dewpoint value is flashing.

With the optional *dewpoint-sensing control*, the following error messages might be displayed:

Display	Cause
+20	■ Upper measuring range limit exceeded
999	■ Dewpoint sensor defective
sens or -999	■ Dewpoint sensor not powered ■ Cable defective or disconnected ■ Sensor defective

#### LED *Economy cycle* (4)

This LED is only relevant in units that are equipped with the optional *dewpoint-sensing control*. The diode lights up when the dryer is switched on and in the standby phase and no regeneration air is required.

## Emergency shutdown

To emergency shut-down the dryer heed to the following instructions:

- ▶ Close shut off valves upstream and downstream of the dryer (if applicable)
- ▶ Disconnect the electrical power supply (i.e. by switching the **ON/Off** switch to **0**).
- The dryer is now off-line.
- ▶ If applicable, depressurise the dryer now.

Before re-commissioning the dryer ensure that the emergency situation has been solved and that the dryer is not damaged.

Never commission a damaged dryer!

## Start up dryer



#### Warning against sudden air ejection!

During expansion the pressure is released suddenly through the muffler:

- A loud expansion noise is caused which may damage your hearing.
- Particles carried in the air can injure your eyes or skin.

**Always wear eye and ear protection, therefore, when you are in the vicinity of the dryer!**



#### Hazard due to a sudden release of pressure!

**Never remove any parts of the dryer, or manipulate the same in any way, for as long as the plant is still pressurised! A sudden escape of pressure may cause serious injuries.**

**Before carrying out any work on the dryer, first depressurise the plant.**

- Carry out all prescribed tests and checks.
- The factory settings on the control board in the switchbox must not be changed on any account without prior approval by the manufacturer.
- Before start-up, ensure that no tools or other foreign parts have been left lying in a part of the dryer where they might pose a hazard to the dryer being started up

## Open compressed air supply and switch on dryer

For start-up, please proceed in the sequence shown here.

- ▶ Ensure that the compressed air inlet and outlet valves installed by the owner are closed (see installation example on page 24).
- ▶ Ensure that the compressed air system upstream of the dryer is pressurised. If necessary, pressurise (switch on compressor).



### Slowly open compressed air inlet valve!

**Avoid sudden pressure build-up in any circumstance! If pressure builds up too fast, this may cause damage to the dryer. Therefore, the compressed air inlet valve must always be opened quite slowly!**

- ▶ Slowly open the compressed air inlet valve, installed by the owner, upstream of the dryer.
- ▶ Switch on dryer: to this end, set the ON/OFF switch to **I**.

If the dryer is taken into operation for the first time, or after a change of drying agent, the following intermediate step is meaningful. In the case of a restart situation, the following intermediate step can be skipped.

### Operating the dryer for the first time (or after a change of drying agent) separately

Depending on the transportation and storage conditions, the drying agent in the chambers can already be loaded with humidity from the environment. At each first start-up it makes sense therefore to operate the dryer from some time separately from the compressed air system. This causes the drying agent in each chamber to be regenerated repeatedly and thus to be prepared optimally for the take-up of humidity.

#### Note:

**Depending on the pressure dew point to be achieved, we recommend to operate the dryer at first start-up without compressed air consumption:**

- for at least 4 hours at a pressure dew point of  $-25$  to  $-40$  °C or
- for approx. 3 to 5 days at a pressure dew point of  $-70$  °C.

If you wish to take the dryer into operation in accordance with our recommendation, proceed as follows:

- ▶ Ensure that the compressed air outlet valve installed by the owner is closed.
- ▶ Keep the compressed air outlet valve closed for the time period recommended above.

Then the dryer can be taken into service in the compressed air system as described in the following section:

### Operate dryer immediately in the compressed air system

- ▶ Ensure that the compressed air system downstream of the dryer is pressurised or that a start-up device (option, see page 21) was installed into the compressed air system directly downstream of the dryer. The importance of this increases with the size of the compressed air system downstream of the dryer. Smaller compressed air systems can be pressurised also by means of compressed air fed through the dryer.



### **Slowly open compressed air outlet valve!**

**Avoid a sudden drop in pressure in any circumstance! If pressure drops too fast, this may cause damage to the dryer. Therefore, the compressed air outlet valve must always be opened quite slowly!**

- ▶ Slowly open the compressed air outlet valve installed by the owner. The pressure should not drop below the operating pressure (if poss.). If necessary, keep the compressed air outlet valve in a slightly open position until the compressed air system downstream of the dryer has filled up completely; only then should the valve be opened fully.

The dryer has then be taken into operation within the compressed air system.

### **In the event of a fault**

In the event of an emergency or if a safety-relevant disruption occurs (e.g. escaping compressed air, defective component), immediately close the compressed air supply line and set the ON/OFF switch of the dryer to **0** in order to disconnect it from the power supply. Afterwards depressurise the dryer (see also chapter , page 36).

Then proceed as follows:

#### **Remedy fault**

- ▶ Look up possible cause of the fault, and how to remedy the same, in the table on page 51.
- ▶ Remedy fault.
- ▶ Repeat the start-up procedure.

## **Changing cycle mode**

---

### **When *can* I change cycle mode?**

If the dryer has been successfully commissioned and is equipped with one of the following options:

- *compressor synchronisation* or
- *dewpoint-sensing control*

it can be set to *economy cycle* mode.

### **When *should* I change cycle mode?**

Cycle changes should be made during the pressure build-up phase and prior to switchover; during this phase, the pressure in both chambers is just below operating pressure so that a fast pressure build-up is prevented when the chambers are switched.

During this period, only the adsorption LED is on in the diagram, and the digital display shows step 4 or step 9 for the duration of 1 minute (see logic control diagram; not displayed with dewpoint sensing).



## Which cycle modes can I choose?

If the dryer is connected to a *compressor synchronisation system* and is equipped with the *dewpoint-sensing control* option, these two optional devices can only be started together. The compressor synchronisation has thereby precedence over the dewpoint-sensing control.

## With compressor synchronisation

If compressor synchronisation is enabled, the dryer can only be operated in conjunction with the compressor. As soon as the compressor is switched off, the dryer is automatically set to standby mode.

In standby mode, the control system remains on, and the dryer is ready for the next switchover, which is made as soon as the compressor is switched on.

### Note:

**The compressor synchronisation controller is a higher-level controller than the pressure dew point controller. When both options are in place, the compressor synchronisation controller is treated as the prime controller.**

## With dewpoint-sensing control

Dryers equipped with dewpoint-sensing control operated in variable cycle mode, based on the measured dewpoint of the dried air at the compressed air outlet. As soon as a certain dewpoint is reached, as the drying agent in the absorbing chamber is saturated, the chambers are switched.

The dewpoint at which a switchover is made is preset at the factory.

## How do I change cycle mode?

- ▶ Wait until the dryer has reached the pressure build-up phase (phase prior to switchover).  
One LED for *Adsorption B1/B2* is on in the flow diagram.
- ▶ Set the ON/OFF switch to position **II**.  
The programme continues the cycle.

## Monitoring dryer operation

The dryer operates fully automatically. However, you should carry out the regular checks described in the Chapter *Maintenance and repair of the dryer*.



### **Warning against sudden air ejection!**

**During expansion the pressure is released suddenly through the muffler:**

- **A loud expansion noise is caused which may damage your hearing.**
- **Particles carried in the air can injure your eyes or skin.**

**Always wear eye and ear protection, therefore, when you are in the vicinity of the dryer!**

- The more powerful the dryer is, the more noise may be generated during operation. Therefore, the operator must provide suitable protective equipment (e. g. ear protection).
- Only operate the dryer within the permissible limits. By operating the dryer in conditions for which it has not been designed, functional faults may be caused.
- Depending on the size of the dryer and the compressed air network and the respective legal requirements in your country, it may be necessary to perform initialisation according to the directive for pressure equipment.
- Check the dryer regularly for externally visible damage and defects. Any changes, even in its operating behaviour, must be reported immediately to the competent office or person.
- In the event of an emergency or if a safety-relevant disruption occurs (e.g. escaping compressed air, defective component), the dryer must be shut down immediately as described in the section on page 36). The unit may only be restarted after all defects have been eliminated.

## With dewpoint-sensing control (optional)

### Display of dewpoint

If the dryer is equipped with a dewpoint-sensing control system, the digital display at the front of the switchbox shows the currently measured dewpoint. The range of display is  $-100\text{ °C}$  ( $-148\text{ °F}$ ) to  $+20\text{ °C}$  ( $68\text{ °F}$ ).

If the set dewpoint is exceeded, the system automatically completes a switchover between the chambers. The dewpoint at which a switchover is made is preset at the factory.

- ▶ After commissioning or extensive maintenance work, check the dewpoint display at the dryer.

Under certain circumstances, the desired dewpoint is only reached after prolonged operation.

## Error messages

If the measured dewpoint exceeds the preset alarm limit (5 °C (41 °F) above the switchover value), the displayed dewpoint value is flashing. In addition, an error message can be issued through the potential-free busbar.

Error codes and their causes:

Display	Cause
+20	■ Upper measuring range limit exceeded
999	■ Dewpoint sensor defective
sens or -999	■ Dewpoint sensor not powered ■ Cable defective ■ Sensor defective

For instructions on how to eliminate faults, see chapter *Identify and eliminate faults*

## Shutdown and restart dryer

In the following cases, the dryer must be fully shut down and depressurised:

- In the event of an emergency or malfunction
- For maintenance work
- For dismantling



### Caution!

**Risk of damage to the dryer, if it is switched off during the expansion or drying phase.**

**During these phases, the pressure in the regenerating chamber is released to ambient pressure: If the main valve is opened, as the dryer is switched off, there is a sudden pressure build-up in the chamber. This might result in**

- damage to the drying agent, and
- excessive abrasion, with negative impact on the regeneration capacity.

**Before switching off the dryer, wait until it has reached the pressure build-up phase or is in standby mode (before switchover).**

**Note:**

If the unit is equipped with a compressor synchronisation system, first switch off the compressor and then wait until the dryer has reached the standby phase before switching it off with the ON/OFF switch.

This ensures that the regeneration cycle is completed, and that the pressure in both chambers is at the same level.

As soon as the dryer is switched on again, the programme continues the cycle from the point at which it has been stopped.

---

## Emergency shutdown

---

To emergency shut-down the dryer heed to the following instructions:

- ▶ Close shut off valves upstream and downstream of the dryer (if applicable)
- ▶ Disconnect the electrical power supply (i.e. by switching the On/Off switch to **0**).
- The dryer is now off-line.
- ▶ If applicable, depressurise the dryer now.

Before re-commissioning of the dryer ensure that the emergency situation has been solved and that the dryer is not damaged.

Never commission a damaged dryer!

---

## Depressurising and shutting down the dryer

---

### Close compressed air feed line

- ▶ Close the compressed air inlet valve (provided by the operator).

### Disconnect voltage supply

- ▶ Switch off the dryer by setting the ON/OFF switch to position **0**.

### Disconnect dryer from compressed air system

- ▶ Close the compressed air outlet valve installed by the owner.

### Depressurise dryer

- ▶ Depressurise dryer, e.g. by opening the manual drain at the downstream filter.

## If work is to be carried out on the electrical system

- ▶ Depressurise and shut down the dryer, following the instructions in the above chapter.



### Risk of injury due to voltage-carrying parts!

**The electrical supply cable and external power lines are live even after the dryer is switched off and, in the event of body contact, may cause serious injury! Before carrying out any work on the electrical system, the electrical supply cable and all external power lines must be made voltage-free!**

- ▶ Make the electrical supply cable to the dryer voltage-free.
- ▶ Secure the electrical supply cable to the dryer against switch-on.

## Restart

Depending on the fittings installed by the operator and the actual pressure conditions, the unit might have to be restarted at operating pressure. The following general rules apply:

- When switched off, the dryer is open in main flow direction. With the optional *start-up device*, the set minimum pressure must however be reached prior to restart.
- A return flow is only possible in connection with the optional *regeneration gas return* (and provided that the pressure outlet valve is open).
- If the dryer is equipped with a dewpoint-sensing control system, it is depressurised gradually, according to the read measuring current.

## If compressed air system and dryer have remained at operating pressure

- ▶ Ensure that the compressed air inlet valve (provided by the operator) is open.
- ▶ Set ON/OFF switch to **I**. The programme continues the cycle from the point at which it was interrupted.



### Slowly open compressed air outlet valve!

**Avoid a sudden drop in pressure in any circumstance! If pressure drops too fast, this may cause damage to the dryer. Therefore, the compressed air outlet valve must always be opened quite slowly!**

- ▶ Slowly open the compressed air outlet valve installed by the owner. The pressure should not drop below the operating pressure (if poss.). If necessary, keep the compressed air outlet valve in a slightly open position until the compressed air system downstream of the dryer has filled up completely; only then should the valve be opened fully.

The dryer is now in operation again and operates fully automatically.

## If compressed air system and dryer have not remained at operating pressure

- ▶ If disconnected, reconnect the voltage supply of the dryer.
- ▶ Ensure that the manual drain on the downstream filter is closed.
- ▶ Pressurise and switch on the dryer as described in the section *Open compressed air supply and switch on dryer* on page 31.

The dryer is now in operation again and operates fully automatically.

## After the purifying agent has been replaced

The newly filled purifying agent contains minute dust particles that can block the downstream filters. We therefore recommend to complete the following steps before you restart the dryer, in order to protect your equipment:

- ▶ Remove the housing base and the filter element from the downstream filter.



**Wear eye protection and dust mask due to increased dust generation!**

**If the dryer is operated without downstream filter, there is a risk of increased dust generation.**

**In order to avoid any eye irritations, wear protective goggles!**

**In order to avoid any dust inhalation, wear dust mask!**

Restart the dryer:

- ▶ Switch on the dryer and pressurise as described in section *Open compressed air supply and switch on dryer*, page 31.

The compressed outlet valve must be closed and the downstream filter housing must be open:

- ▶ Operate the dryer for approx. thirty minutes, blowing the dust particles off from the downstream filter.

Shut down the dryer:

- ▶ Close the compressed air inlet valve installed by the owner.
- ▶ Switch off the dryer by setting the ON/OFF switch to position 0.

Reassemble the filter and commission the dryer (see the operating manual of the filter for the reassembly).

- ▶ Switch on the dryer and pressurise as described in section *Open compressed air supply and switch on dryer*, page 31.
- ▶ Check that the vessel and the downstream filter are leak tight.

# Maintenance and repair of the dryer

In order to allow maintenance work on the dryer to be carried out efficiently and without danger for maintenance personnel, you should comply with the following instructions.

## Notes on maintenance



### Danger!

**There is a very considerable risk of personal injury, when carrying out work on the activated and pressurised dryer.**



**Before commencing any maintenance tasks always shut down the dryer as described on page 36, !**



### Warning!

**Maintenance tasks may be carried out only by authorized and qualified specialist personnel, and only with the plant in a switched off and depressurised condition.**

### Note:

**In order to ensure perfect maintenance and reliable operation we recommend that you conclude a maintenance contract.**

**When exchange or replacement parts are ordered, always state the dryer type and the build no. of the dryer. These data are found on the type plate.**

- Carry out all maintenance work only when the plant has been shut down and depressurised!
- Bolt connections must be undone with care! Note ram pressure values! Otherwise emerging media may cause personal injury.
- Do not modify the factory settings of the control system in any way without prior consultation with the manufacturer.
- Never carry out any manipulations on a hollow profile vessel or modify the same in any way!
- Following maintenance work, always check all flange and bolt connections for leakage and secure seating.
- Never use pipes and fittings as steps or holding points! The components might fracture, or the distortions which occur may cause internal damage on the dryer. There is a risk of injury by slipping off the components, components breaking off, and expanding compressed air!
- Never leave tools, loose parts or cloths at or on the dryer.
- Only use replacement parts that are suitable for the relevant function and meet the technical requirements stipulated by the manufacturer. This is always the case, if you use original replacement parts only.

## Regular maintenance intervals

### Note:

If a chamber has been depressurised, e.g. after completion of the expansion phase, and the pressure remains above 0 bar, the chamber is pressurised by what is known as ram pressure. This might be due to

- blockage at the muffler
- contamination of the perforated plates
- spent drying or purifying agent

To prevent such malfunctions, regularly service the dryer as described below.

The table provides an overview of the maintenance work to be carried out. The individual tasks are described in the following pages..

Component	Maintenance task to be carried out	Maintenance interval				see page
		daily	12 months	24 months	48 months	
Complete dryer	Carry out visual and function checks.	●				41
Muffler	<b>BSP-MT 1-2:</b> Clean muffler, replace if necessary.		●			42
	<b>BSP-MT 3-8:</b> Mufflers must be replaced annually and after each desiccant change.		●			42
Fine filter muffler (option)	Replace silencer element annually and after each desiccant change.		●			42
Purifying agent	Replace.		●			44
perforated plates, drying agent	Replace.		●			46
Sensor of optional dewpoint-sensing control system	Replace		●			43
Air quality	Must be check.		●			42
Solenoid valves	Replace membrane.			●		49
Solenoid and check valves	Solenoid valves: Replace membranes and coils. Check valves: Replace balls and springs.				●	49
Upstream and downstream filter	Please see the enclosed operating instructions for the attached filters. Maintenance work has to be carried out as specified in this document.					

When carrying out any maintenance work, comply with the following safety instructions:



**Danger!**

There is a very considerable risk of personal injury, when carrying out work on the activated and pressurised dryer.

Before commencing any maintenance tasks always shut down the dryer as described on page 36, !

**Warning against electrical voltage!**

Only qualified specialist personnel may carry out work on the electrical system!



## Instructions for use of the dongle

If the message **SEr.** is displayed on the display of the Multitronic controller, the dryer is due for servicing. The message appears, flashing every 60 seconds, once the preset number of operating hours (e. g. 8000 oh) has been reached. After maintenance has been carried out, you can use the dongle to reset the counter to 0 and delete the message from the display. A dongle is enclosed with every service kit. Each dongle can only be used once.

- ▶ Switch off the controller. Caution! The electric line is still live. Do not touch live parts!
- ▶ Open the lid to the Multitronic controller. The circuit board is housed underneath it.
- ▶ Slot the dongle into the dongle interface *X9 PC*.
- ▶ Press and hold the reset key *S3*.
- ▶ Switch on the controller. The following appears in the display:

for a short time then flashing	<b>0.SET</b> <b>OFF</b>
-----------------------------------	----------------------------

The service counter is then reset to 0.

If the following appears in the display:

for a short time then flashing	<b>FAIL</b> <b>OFF</b>
-----------------------------------	---------------------------

this means that the dongle has already been used once and cannot be used again.

- ▶ Switch off the controller again and remove the dongle.
- ▶ Dispose of the unusable dongle and use a new one.

## Daily maintenance tasks

### Carry out visual and function check on the complete dryer

- ▶ Check dryer for external damage or unusual noise generation.
- ▶ Duly eliminate any defects found.

If message **SEr.** is displayed, a routine service must be completed:

- ▶ Contact the service department of the manufacturer.

## Clean dryer

- ▶ Remove any loose dust by means of a dry cloth, and, if required, also by means of a moist and well wrung cloth.
- ▶ Clean the surfaces with a moist well wrung cloth.

## Maintenance work to be completed every 12 months

---

### Check air quality en

Especially for critical applications, we recommend to annually check the quality of the processed medical breathing air (this check should be carried out by a qualified authority).

### Check mufflers

The dryer is either equipped with a standard muffler or a fine filter muffler. If the respective muffler becomes blocked, a dam pressure is generated which in extreme cases may cause the muffler to burst.



#### **Hazard caused by blocked muffler!**

**Blocked mufflers can cause a dangerous overpressure to build up which may cause the mufflers to burst. Flying fragments may cause personal injury and damage to property.**

**Therefore, mufflers must be checked at least once a year and cleaned (BSP-MT 1-2) or renewed (BSP-MT 3-8) if they are contaminated.**



#### **Warning against sudden air ejection!**

**During expansion the pressure is released suddenly through the muffler:**

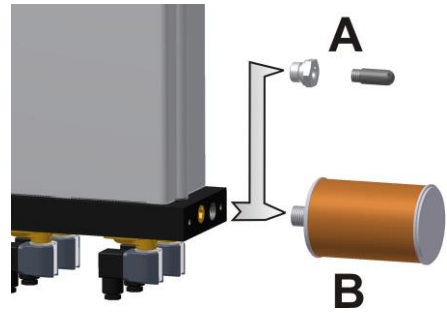
- **A loud cracking noise occurs which can injure your hearing.**
- **Particles carried in the air flow act like bullets and can injure your eyes or skin.**

**Always wear eye and ear protection, therefore, when you are in the vicinity of the dryer!**

The correct procedures for all muffler versions are described below.

### Clean or renew standard mufflers

- ▶ Depressurise the dryer and shut it down (see page 36).
- ▶ Unscrew muffler as shown in the opposite figures:
  - **BSP-MT 1-2** = Pos. A,
  - **BSP-MT 3-8** = Pos. B
- ▶ **BSP-MT 1-2**
  - Blow out with compressed air for cleaning
  - or renew muffler, if necessary.

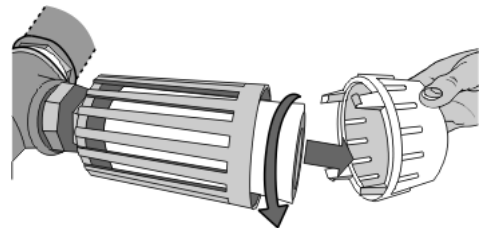


*Undo muffler*

- ▶ **BSP-MT 3-8**  
Mufflers must be replaced annually and after each desiccant change.
- ▶ Screw sound absorber tight again.
- ▶ Restart dryer (see page 38).

### Replace the element in the fine filter muffler

- ▶ Depressurise the dryer and shut it down (see page 36).
- ▶ Undo knurled screw on the lid cap and remove cap.
- ▶ Unscrew old filter element. Arrows on the element bottom mark the direction of rotation.

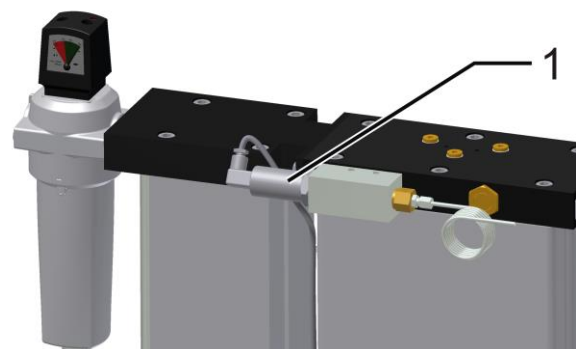


*Renew muffler element*

- ▶ Insert new filter element and screw on tightly.
- ▶ Re-engage lid cap at the top section of the housing and fix in position by means of the knurled screw.
- ▶ Restart dryer (see page 38).

### Renew dewpoint sensor (Option)

To ensure precision dew point measurement, it is recommended to replace the dew point sensor every year. This period depends however on the actual application and might thus be extended accordingly.



*Dewpoint sensor (1)*



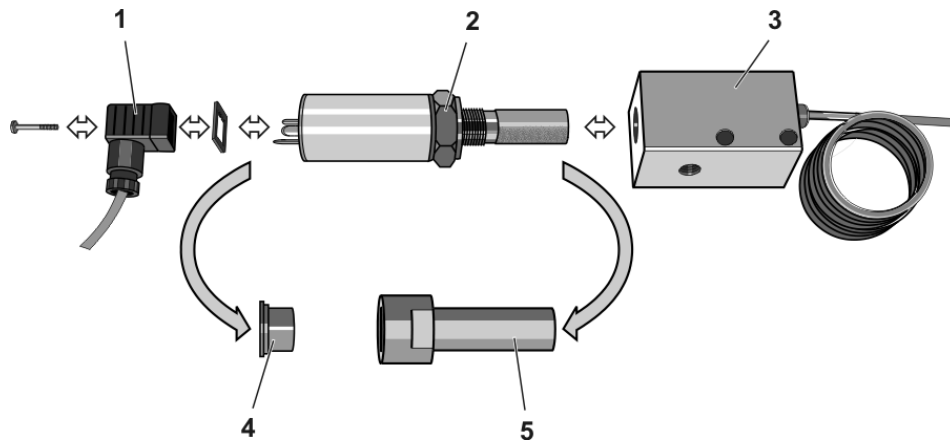
### Warning!

The dew point sensor is a sensitive measuring device. It can be damaged if subjected to forceful vibrations or shocks. Therefore, please handle the dew point sensor with great care at all times.

In order to limit the impact on the dryer operation to a minimum, we recommend that you contact the manufacturer well in advance and order a new dewpoint sensor.

After receipt of the new pressure dewpoint sensor, replace the sensor as follows:

- ▶ Hold the box of the dewpoint sensor ready.
- ▶ Release pressure from dryer and shut down the unit (see page 36).



*Installing / dismantling pressure dewpoint sensor*

- ▶ Loosen the screw at the adapter (1) and disconnect signal cable with the adapter and seal.
- ▶ Remove dewpoint sensor from the sensor cell (3) by turning the nut (2).
- ▶ Take the new dewpoint sensor (2) from the box, remove the protective caps and screw it into the sensor chamber (3).
- ▶ Place seal onto sealing face; connect adapter (1) and secure it by tightening the screw.
- ▶ If no other maintenance work is to be carried out: Restart the dryer (see page 38).
- ▶ Place the protective caps (4, 5) onto the old dew point sensor and dispose of it in accordance with the applicable regulations.

## Replace purifying agent

When replacing the purifying agent, please observe the following safety instructions:



**Wear eye protection and dust mask due to increased dust generation!**  
**When emptying/filling purifying agent, increased dust generation might occur.**  
**In order to avoid eye irritations, wear protective goggles!**  
**In order to avoid any dust inhalation, wear dust mask!**

**Risk of falls!**

The dryer must not be used as a climbing aid! The components have not been designed for such loads and could fracture.

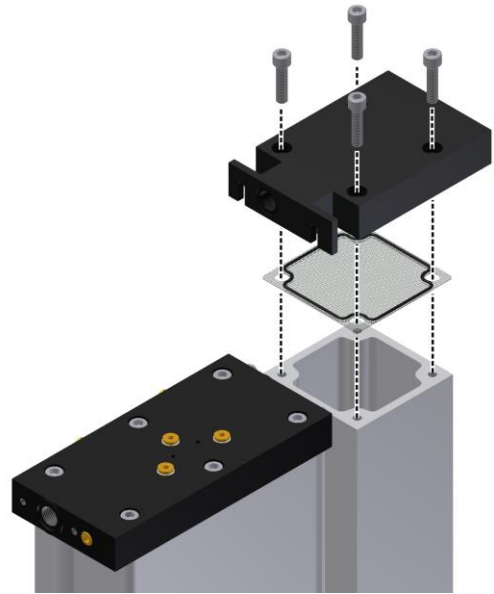
Only use approved climbing aids when disassembling the top plate.

**Risk of skidding!**

If drying agent has been spilt on the floor, there is a risk of skidding caused by the drying agent beads. Therefore, spilt drying agent must always be taken up immediately.

To replace the purifying agent, you must first remove the top plate.

- ▶ Depressurise the dryer and shut it down (see page 36).
- ▶ Loosen the screws at the top plate and lift off the plate.
- ▶ Remove the perforated plate.
- ▶ Remove the purifying agent from the single-chamber vessel, using an industrial vacuum cleaner.



*Removing the top plate*

**Caution!**

The spent purifying agent might be contaminated with hazardous substances. Dispose of it in an environmentally safe manner, taking into account possible contamination. The waste code number of the purifying agent can be obtained from the manufacturer.

- ▶ Dispose of the used purifying agent in accordance with all applicable regulations.
- ▶ The different purifying agents fill layers (according to the technical data in appendix). Use a funnel, if necessary. Ensure that the agent is filled into the chamber with a high bulk density.

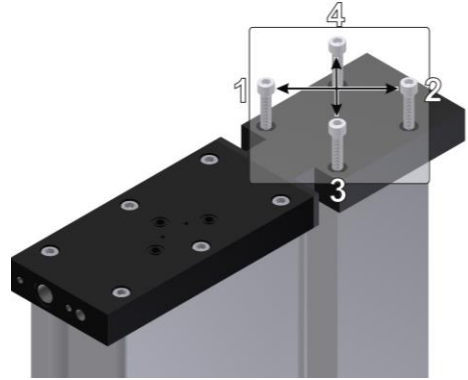
**Note:**

An overview over the different layers of purifying agent, can be found in the technical data chapter in the annex.

- ▶ Mount perforated plates onto the top plate.

Reaffix top plate:

- ▶ Use a dynamometric key to tighten the screws, and take care to observe the following torques:
  - 25 Nm in case of **BSP-MT 1-4**
  - 50 Nm in case of **BSP-MT 6-8**
- ▶ Tighten the screws crosswise in accordance with the sequence shown on the right.



Correctly affixing the top plate

- ▶ Repeat the process once
- ▶ Restart dryer as described on page 38, **After the purifying agent has been replaced.** Check that the connection is leak tight.

## Replace demisters, perforated plates and drying agent

To complete the following maintenance tasks, you must dismantle the plates and the vessels. We therefore recommend that you carry out these tasks together.

### Replace upper perforated plates

Perforated plates designed to retain the drying and purifying agents are fitted under the check valve plate and above the solenoid valve plate. If these perforated plates become blocked, a dam pressure is generated which can cause compressed air fluctuations in the compressed air system.

In order to remove the upper perforated plates, the check valve plate must be removed.

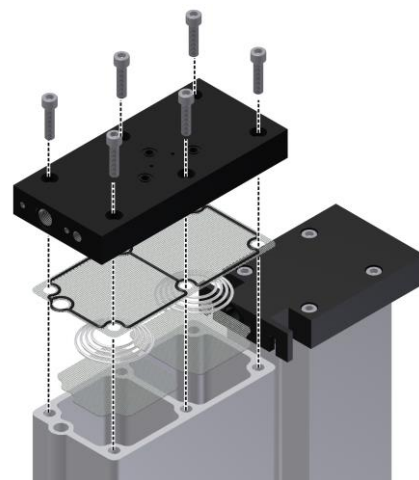


#### Risk of falls!

**The dryer must not be misused as a climbing aid! The components have not been designed for such loads and could fracture.**

**Only use approved climbing aids when disassembling the check valve plate.**

- ▶ Depressurise the dryer and shut it down (see page 36).
- ▶ Loosen the screws at the check valve plate and lift off the plate.
- ▶ Removing and replacing perforated plates and pressure springs.



Removing the check valve plate

Before reassembling the check valve plate, you should replace the drying and the purifying agents.

**Note:**

**A detailed description for the purifying agent change procedure can be found on page 44**

### Replace drying agent

The service life of the drying agent is usually approx. 3 to 5 years. However, in favourable installation conditions, the change of drying agent may be carried out at a substantially later date (for notes on the installation site, see also page 15). The change interval is determined by the degree of contamination of the compressed air (which can be minimised by regularly replacing the upstream filter elements). Oil, dust, and dirt particles cover the drying agent surface and reduce its effective surface, in part quite irreversibly.

Comply with the following safety notes when changing the drying agent:



**Wear eye protection and dust mask due to increased dust generation!**  
**When emptying the drying agent, increased dust generation may occur.**  
**In order to avoid any eye irritations, wear protective goggles!**  
**In order to avoid any dust inhalation, wear dust mask!**



**Risk of skidding!**

**If drying agent has been spilt on the floor, there is a risk of skidding caused by the drying agent beads. Therefore, spilt drying agent must always be taken up immediately.**

### Remove used drying agent

- ▶ Use an industrial vacuum cleaner to Hoover up carefully the drying agent out of the chambers.



**Warning!**

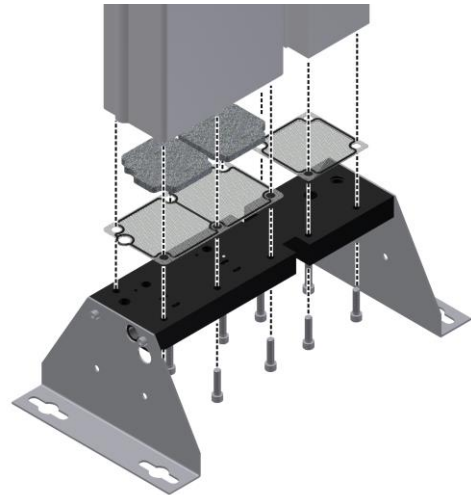
**If the dryer is not used within specifications, the drying agent can be contaminated with pollutants. Always take this into account for the environmentally safe disposal of the drying agent. The waste code numbers of the drying agent can be obtained from the manufacturer.**

- ▶ Dispose of the used drying agent in accordance with all applicable regulations.

Before filling in new drying agent, we recommend that you replace the demister and the lower perforated plates.

### Replacing the lower perforated plates

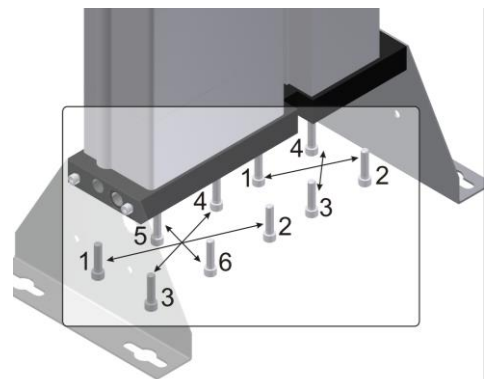
- ▶ Loosen the screws on the solenoid valve plate.
- ▶ Remove and replace perforated plates and demisters.



Removing solenoid valve plate

Reaffix the solenoid valve plate:

- ▶ Use a dynamometric key to tighten the screws, and take care to observe the following torques:
  - 25 Nm in the case of BSP-MT 1-4
  - 50 Nm in the case of BSP-MT 6 -8
- ▶ Tighten the screws crosswise in accordance with the sequence shown on the right.
- ▶ Repeat the process once.



Correctly affixing the solenoid valve plate

Next the new drying agent should be filled up.

### Fill with new drying agent and remount check valve plate



#### Risk of falls!

**The dryer must not be misused as a climbing aid. The components have not been designed for such loads and could fracture.**

**Only use approved climbing aids when filling the chambers.**

- ▶ Slowly fill up with new drying agent in the chamber. If necessary, use a funnel. Take special note of the next step.
- ▶ Ensure that the drying agent is filled into the chambers with a high bulk density.

#### Note:

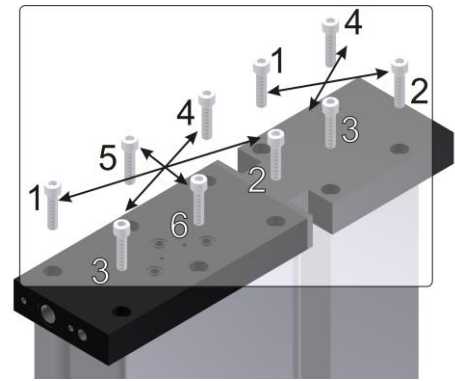
**To achieve an optimum bulk density, we recommend using a "snowstorm" filling pipe available from the manufacturer.**

Otherwise, tap the chamber wall with a rubber mallet while filling in the drying agent or use a stick to distribute the agent evenly inside the chamber.

- ▶ Subsequently, position the perforated plates onto the check valve plate, align them properly and secure them.



- ▶ Use a dynamometric key to tighten the screws, and take care to observe the following torques:
  - ▶ 25 Nm in the case of **BSP-MT 1-4**
  - ▶ 50 Nm in the case of **BSP-MT 6 -8**
- ▶ Tighten the screws crosswise in accordance with the sequence shown on the right.
- ▶ Repeat the process once.
- ▶ Restart the dryer (see page 38).  
Check that the connection is leak tight.



Correctly affixing the check valve plate

- ▶ Operate the dryer for two cycles, then shut it down again.
- ▶ Replace sound absorber as described on page 42.

## Maintenance work to be completed every 24 months

### Replace the membranes of solenoid valves

You should replace the membranes of solenoid valves every two years. Proceed as described in section *Replace solenoid valves*

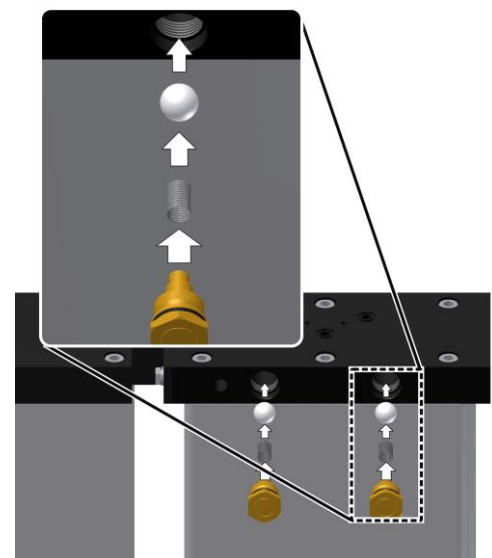
You must, however, replace the membranes only (contained in the Service Kit for 24 months).

## Maintenance work to be completed every 48 months

### Replace check valves

Check valves are wear parts and must thus be replaced every 48 months, even if no damage is visible.

- ▶ Release pressure from dryer and shut down the unit (see page 36).
- ▶ Remove the securing screws at the rear of the check valve plate.
- ▶ Insert new balls and new springs and ensure that they are not jammed.
- ▶ Replace the seals at the securing screws and tighten the screws
- ▶ With regeneration gas return (optional):  
Also replace the two additional check valves, following the above instructions.
- ▶ If no other maintenance work is to be carried out: Restart the dryer (see page 38).



Check valves

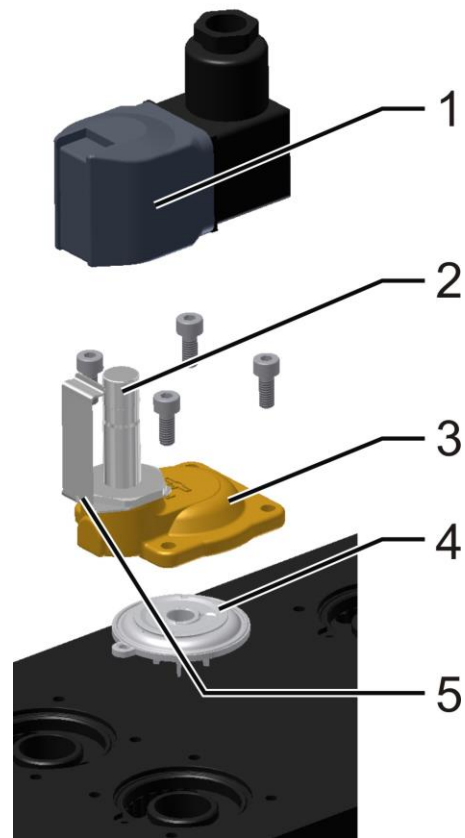
## Replace solenoid valves

Solenoid valves are wear parts and must thus be replaced every 48 months, even if no damage is visible.

- ▶ Release pressure from dryer and shut down the unit (see page 36).

Preparation for the replacement of all four solenoid valves:

- ▶ Check the specifications of the valves:
  - The rated voltage of the solenoids (1) must correspond to that indicated on the type plate of the dryer.
  - Solenoid valves Y1/Y2 at the dryer rear must be open when not energised (valve piston without notch, 2).
  - Solenoid valves Y3/Y4 at the dryer front must be closed when not energised (valve piston with notch, 2).
- ▶ Position the new solenoid valves at the points at which they are to be mounted in order to prevent any confusion at a later stage.



Solenoid valves

For each solenoid valve, proceed as follows:

- ▶ Remove solenoid valve from the holder (3). Remove the valve together with the solenoid and the diaphragm (4).
- ▶ Insert new diaphragm with guide (4) and secure it to the holder (3).
- ▶ Position new solenoid (1) onto the armature and secure it to the spring bracket (5).
- ▶ If no other maintenance work is to be carried out: Restart the dryer (see page 38).

## Identify and eliminate faults

The following table provides information on what designatory abbreviations are to be used for the various components. These designations are also found in the technical documentation.

Abbreviation	Component
PDI	Differential pressure gauge (only BSP-MT 6 -8)
V1–V2 (Y2–Y1)	Main valves (solenoid valves)
V3–V4 (Y3–Y4)	Expansion valves (solenoid valves)
RV1–RV2	Check valves
RV3–RV4	Check valves of regeneration gas return line (optional)

## Summary of faults

There are different fault types. In the case of most electrically caused faults (e.g. short circuit, defective fuse, etc.) the expansion valve closes and the regeneration is interrupted. In the case of some process faults, the dryer will continue to operate for some time. Other faults on the dryer become noticeable e.g. due to unusual noises and ran pressures.

The following table shows who is allowed to remedy a fault: the owner's specialist personnel or the manufacturer's service engineer.

## Table of possible faults

Fault	Possible cause	Remedy	Specialised personnel	Service technician
No pressure build-up	The compressed pressure system upstream from the dryer is not pressurised.	Check whether the compressed pressure system upstream from the dryer is pressurised. Eliminate any faults in the compressed air system.	•	
Excessive compressed air consumption	Leakage	Check condensate trap at the upstream filter; clean, if necessary.	•	•
Dryer cannot be switched over	Solenoid valve Y1/Y2 cannot be opened.	Check supply voltage, cable, contacts and solenoid; replace, if necessary.	•	•
	Solenoid valve Y1/Y2 cannot be opened properly (audible humming sound or valve flapping).	Check supply voltage. Check spring and solenoid; replace, if necessary.	•	•
	Control board defective.	Check fuse in supply line and in the switchbox; replace, if necessary.	•	•
	Power supply interrupted, cable broken.	Reconnect the unit to the power supply.	•	
	Compressor might be off.	Check compressor synchronisation circuit.		
Error in control programme.	Restart programme.		•	

<b>Fault</b>	<b>Possible cause</b>	<b>Remedy</b>	<b>Specialised personnel</b>	<b>Service technician</b>
No expansion	Solenoid valve Y3/Y4 cannot be opened.	Check supply voltage, cable, contacts and solenoid; replace, if necessary.	●	●
	Solenoid valve Y3/Y4 cannot be opened properly (audible humming sound or valve flapping).	Check supply voltage. Check spring and solenoid; replace, if necessary. Check solenoid valve for contamination; clean or replace, if necessary.	●	●
Dryer is continuously bled	Solenoid valve Y3/Y4 cannot be closed properly (audible humming sound or valve flapping).	Check supply voltage. Check spring and solenoid; replace, if necessary. Check diaphragm; replace, if necessary.	●	●
Dryer is excessively bled	Solenoid valve Y1/Y2 cannot be closed.	Check solenoid and diaphragm; replace, if necessary.	●	●

### With dewpoint-sensing control (optional)

<b>Fault code</b>	<b>Description of fault</b>	<b>Possible cause</b>	<b>Remedy</b>	<b>Specialised personnel</b>	<b>Service technician</b>
+20	Upper measuring range limit exceeded	Drying capacity exceeded.	See instructions for commissioning. If the drying agent is wet, replace it.	●	
		Error in programme.	Restart programme.		●
999	Dewpoint sensor defective	Sensor defective or irreversibly contaminated.	Replace sensor.	●	●
sens or -999	Sensor not powered, or cable or sensor defective	Sensor, sensor cable or sensor adapter defective.	Visual inspection; check power supply (24 V to terminals 4 and 6). Replace defective component(s).	●	●
SEr	Display for service interval. Regular maintenance tasks must be carried out.	The display appears after every 8000 operating hours.	Inform the manufacturer's service staff and order the appropriate service kit. The package includes a dongle with which you can reset the operating hours counter after maintenance has been carried out. For instructions on how to use the dongle see the enclosed information sheet (in the service kit).	●	●

# Index

## A

Abbreviation	
components .....	51
Address, manufacturer .....	8
Adsorption, explanation .....	19
Air ejection, sudden .....	10, 13
Außer Betrieb nehmen .....	36
Notfall .....	36

## B

Bolt connections .....	24
Build no. ....	39, 58

## C

Changing cycle mode	
explanation .....	32
Compressed air .....	10, 19
Compressor synchronisation	
option .....	21
Compressor synchronisation line	
installation .....	26
Connection lines .....	24
Connector	
electrical .....	25
Control	
dewpoint-sensing .....	21
Control system	
signalling contacts .....	21
Conversions .....	11
Cycle	
fixed .....	21
variable .....	21
Cycle mode change	
explanation .....	32

## D

Danger notes	
Danger! .....	9
Danger warning, maintenance .....	39, 41
Date of manufacture .....	5
Dehumidification	
explanation .....	20
Dewpoint-sensing control .....	21
Dichtungen	
Wartungsintervall .....	40
Differenzdruckmanometer .....	18
Digital display	
explanation .....	29

Documentation, technical .....	56
Dongle	
use .....	41
Drucktaupunktsensor	
Wartungsintervall .....	40
Dryer	
maintenance interval .....	40
drying agent	
handling .....	11
Drying agent	
charging .....	21
service life .....	47
Drying agents	
storage .....	17
Dust generation .....	11, 38, 44, 47
Dust mask .....	11

## E

Ear protection .....	34
Ein/Aus-Schalter .....	18
Example for installation .....	24
Expansion, explanation .....	20
Eye protection .....	11

## F

Fabrication no. ....	5
Fixed cycle .....	21
Flow diagram .....	62

## H

Hazard areas .....	13
--------------------	----

## I

Installation	
floor-mounted .....	16
wall-mounted .....	16
Installation area .....	15
Installation example .....	24
Installation site, requirements .....	15

## L

LEDs	
explanation .....	28
Limits, permissible .....	34
Lochbleche	
Wartungsintervall .....	40

---

## **M**

Machine damage, prevention .....	10
Magnetventile	
Wartungsintervall.....	40
Maintenance	
Muffler .....	42
sensor .....	43
solenoid valves.....	49, 50
Maintenance contract.....	39
Maintenance, danger warnings .....	39, 41
Maschinenpass .....	5
Misuse.....	10
Misuse, suspected .....	10
Modifications on the dryer .....	11
Montage	
Boden~.....	63
Wand~.....	64

---

## **N**

Netzspannung .....	57
Notes	
hints.....	9

---

## **O**

On/Off switch	
explanation.....	28
Operating instructions .....	8
safe place.....	9
safety notes.....	10
target group.....	9
Operating overpressure	
minimum, maximum .....	57
Operating pressure .....	31
permissible .....	5
<b>safety device</b> .....	23
Operating signalling contact	
installation .....	26
Operation signalling	
contact.....	21
Original replacement parts .....	39
Overpressure, hazard.....	13

---

## **P**

Packaging .....	14
Personnel qualification .....	10, 11, 41
Pressure build-up	
explanation.....	20
sudden .....	31
Pressure Conditions .....	37
Pressure vessel.....	39
Programme	
sequence, steps .....	60
purifying agent	

handling.....	11
Purifying agent	
maintenance interval .....	40
Purifying agents	
storage .....	17

---

## **R**

Regeneration, explanation .....	19
Regulations for accident prevention .....	14, 15
Replacement parts .....	39
Risk of skidding .....	13
Rückschlagventile	
Wartungsintervall.....	40

---

## **S**

Safety notes .....	10
general .....	10
Warning!.....	9
<b>Safety valves</b> .....	23, 27
Schalldämpfer	
Wartungsintervall.....	40
Schalldruckpegel .....	57
Schaltkasten.....	18
Schutzart .....	57
Shutdown valves .....	24
Signalling lines	
external .....	26
Snowstorm filling pipe	
charging drying agent.....	48
Specialist personnel .....	23
Standard equipment.....	8
Start-up device .....	21
Start-up, requirements.....	27
Storage room	
requirements .....	17
Supply cable, electrical.....	25
Supply lines .....	23

---

## **T**

Target group.....	9
Transport damage .....	14
Trockenmittel	
Wartungsintervall.....	40
Type plate .....	12
Typenschild .....	12

---

## **U**

Use, intended .....	10
Use, safe .....	9

---

## **V**

Variable cycle .....	21
----------------------	----

---

Vibration dampers .....	16
Visual inspection.....	41
Voltage	
electrical .....	25
Voltage, electrical .....	13

---

**W**

Wartung	
Rückschlagventile.....	49

---

## Annex with technical documentation

This annex comprises the following information and technical documentation:

- Technical data
- Replacement and wear parts list
- Logic control diagram
- Flow diagram
- Dimensional drawing



## Technical data

### Operating Range

Site Selection	frost-free indoor installation in a non-hazardous environment
Ambient temperature	1,5 to 50 °C (34,7 to 122 °F)
Compressed air inlet temperature	25 to 50 °C (68 to 122 °F)
Max. operating overpressure	16 bar <sub>e</sub>
Min. operating pressure	5 bar <sub>e</sub>
Medium	Compressed air and gaseous nitrogen
Fluid group (acc. to Pressure Equipment Directive)	2

### Electrical connection

Mains voltage, standard	230 V, 50-60 Hz
Alternative voltage	115 V, 50-60 Hz und 24 V DC
Protection class	IP65
<b>Please heed to the type plate and the enclosed wiring diagram!</b>	

### Performance data

Model	Volumetric flow <sup>1</sup> in m <sup>3</sup> /h	Nominal pipe size <sup>2</sup>	1. Upstream filter	2. Upstream filter	Downstream filte	Nominal Pressure in bar <sub>e</sub>	Nominal temperature °C
BSP-MT 1	13	1/4	GL2ZL	GL2XL	GL2ZLH	16	50
BSP-MT 2	24	1/4	GL2ZL	GL2XL	GL2ZLH	16	50
BSP-MT 3	40	1/4	GL2ZL	GL2XL	GL2ZLH	16	50
BSP-MT 4	56	1/4	GL2ZL	GL2XL	GL2ZLH	16	50
BSP-MT 6	90	1/2	GL5ZLD	GL5XLD	GL5ZLDH	16	50
BSP-MT 7	116	1/2	GL5ZLD	GL5XLD	GL5ZLDH	16	50
BSP-MT 8	139	3/4	GL7ZLD	GL7XLD	GL7ZLDH	16	50

<sup>1</sup> m<sup>3</sup>/h, relating to 1 bara and 20 °C at the compressor suction capacity. Subsequently compressed to 13 bar<sub>e</sub> and 35°C inlet temperature to the dryer at 100 % relative humidity – for pressure dewpoints of -25 °C and -40 °C.

<sup>2</sup> In accordance with DIN ISO 228 (BSP-P); alternatively ANSI B 1.20.1 (NPT-F).

### Noise emission

Schallpegel: +3 dB (A) <sup>1</sup>	65 – 86 dB(A)
-------------------------------------	---------------

<sup>1</sup> relative to free field measurement, 1 m surr. field

### Drying agent

Chamber 1	100 % drying agent		
Chamber 2	100 % drying agent		
Chamber 3	Down	Middle	Top
	33 % activated carbon	33 % catalyst	33 % activated carbon

### Dimensions

Please heed to the dimensional drawings and the according table containing dimensions and weight on page. 64.

## Limits for breathing air

	Industrial breathing air				with brathing-air unit BSP-MT	Medical air
	Europe	UK	USA	Australia		Europe
	EN 12021	BS 4275	ANSI/CGA	AS 1715		Ph. European
Carbon monoxide CO	< 15 ppm	< 5 ppm	< 10 ppm	< 10 ppm	< 2 ppm	< 5 ppm
Carbon dioxide CO <sub>2</sub>	< 500 ppm	< 500 ppm	< 1000 ppm	< 800 ppm	< 150 ppm	< 500 ppm
humidity H <sub>2</sub> O	< 5 °C *	< 5 °C *	< 10 °F *	< 100 mg/m <sup>3</sup>	< 15 ppm **	< 67 ppm
oxygen O <sub>2</sub>	21 (±1) %	20 – 23 %	21,5 %	–	20,8 – 21,1 %	20,4 – 21,4 %
Oil quantity	< 0,5 mg/m <sup>3</sup>	< 0,5 mg/m <sup>3</sup>	< 0,5 mg/m <sup>3</sup>	< 1,0 mg/m <sup>3</sup>	< 0,003 mg/m <sup>3</sup>	< 0,1 mg/m <sup>3</sup>
odoriferous- /aromatic substance	Free	free	Free	Free	Free	free
Sulfur dioxide SO <sub>2</sub>	–	–	–	–	< 0,1 ppm	< 1 ppm
nitrous gases NO/NO <sub>2</sub>	–	–	–	–	< 1 ppm	< 2 ppm

\* Pressure dewpoint below inlet temperature ; \*\*Corresponding pressure dewpoint -50°C to -45°C at 7 bare  
All values refer to customary concentration levels present in the inlet air.

## Replacement and wear parts list

### Note:

When exchange or replacement parts are ordered, always state the dryer type and the build no. of the dryer. These data are found on the type plate.

## Service-kits

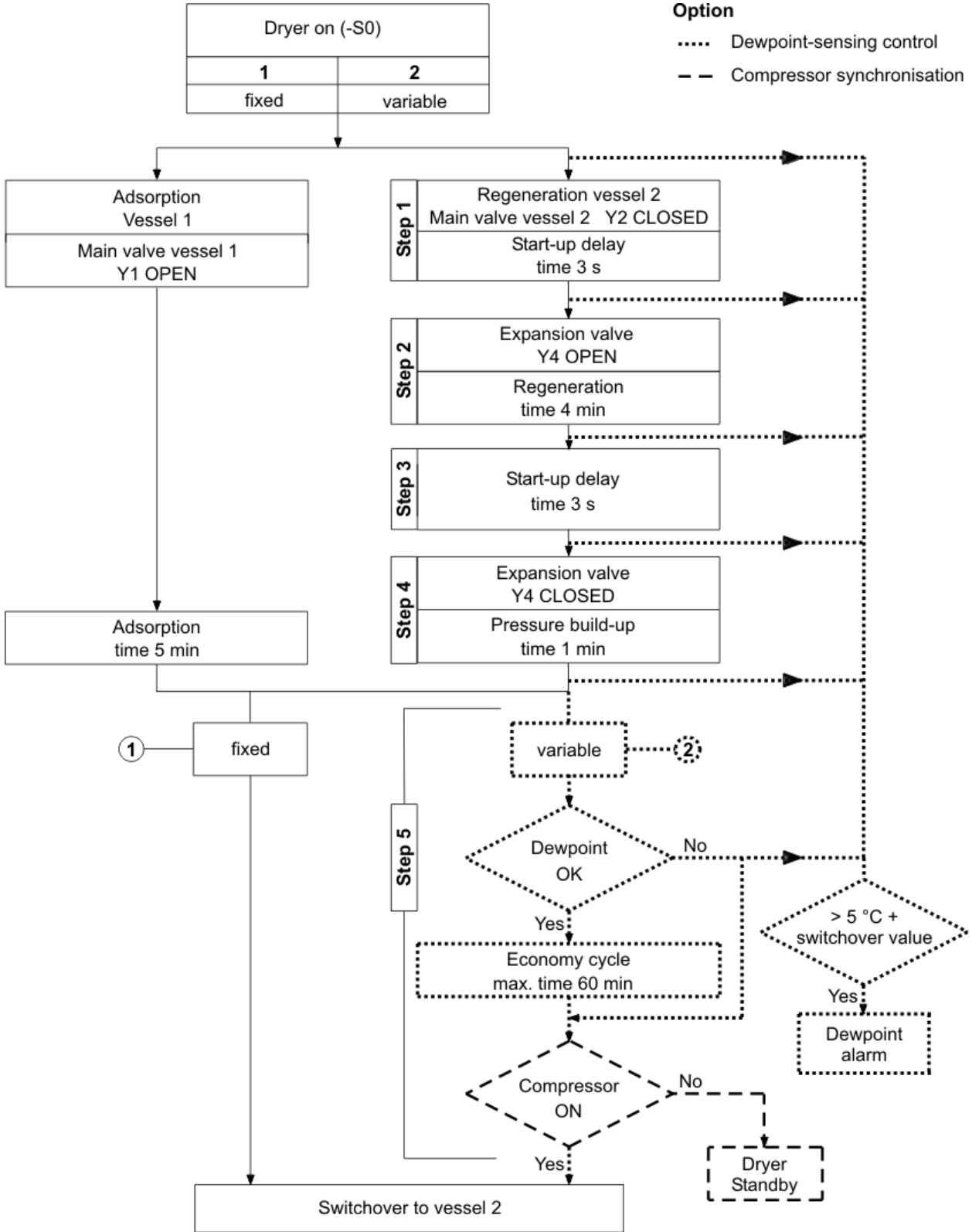
For model	Maintenance-interval	Mains-voltage	Order-ID.	Scope of delivery
BSP-MT 1 - BSP-MT 4	12 and 36 months	115V, 230V	<b>SKK1-4/BP2/12</b>	Reset module, demisters, perforated plates, muffler and filter elements
BSP-MT 1 - BSP-MT 4	24 months	115V, 230V	<b>SKK1-4/BP2/24</b>	Reset module, valve membranes, demisters, perforated plates, muffler and filter elements
BSP-MT 1 - BSP-MT 4	48 months	230V	<b>SKK1-4/BP2/48</b>	Reset module, valve membranes, solenoid coils, check valves, demisters, perforated plates, muffler and filter elements
		115V	<b>SKK1-4/BP2/48/115</b>	
BSP-MT 6 - BSP-MT 7	12 and 36 months	115V, 230V	<b>SKK6-7/BP2/12</b>	Reset module, demisters, perforated plates, muffler and filter elements
BSP-MT 6 - BSP-MT 7	24 months	115V, 230V	<b>SKK6-7/BP2/24</b>	Reset module, valve membranes, demisters, perforated plates, muffler and filter elements
BSP-MT 6 - BSP-MT 7	48 months	230V	<b>SKK6-7/BP2/48</b>	Reset module, valve membranes, solenoid coils, check valves, demisters, perforated plates, muffler and filter elements
		115V	<b>SKK6-7/BP2/48/115</b>	
BSP-MT 8	12 and 36 months	115V, 230V	<b>SKK8/BP2/12</b>	Reset module, demisters, perforated plates, muffler and filter elements
BSP-MT 8	24 months	115V, 230V	<b>SKK8/BP2/24</b>	Reset module, valve membranes, demisters, perforated plates, muffler and filter elements
BSP-MT 8	48 months	230V	<b>SKK8/BP2/48</b>	Reset module, valve membranes, solenoid coils, check valves, demisters, perforated plates, muffler and filter elements
		115V	<b>SKK8/BP2/48/115</b>	

## Dessicant and activated carbon packages

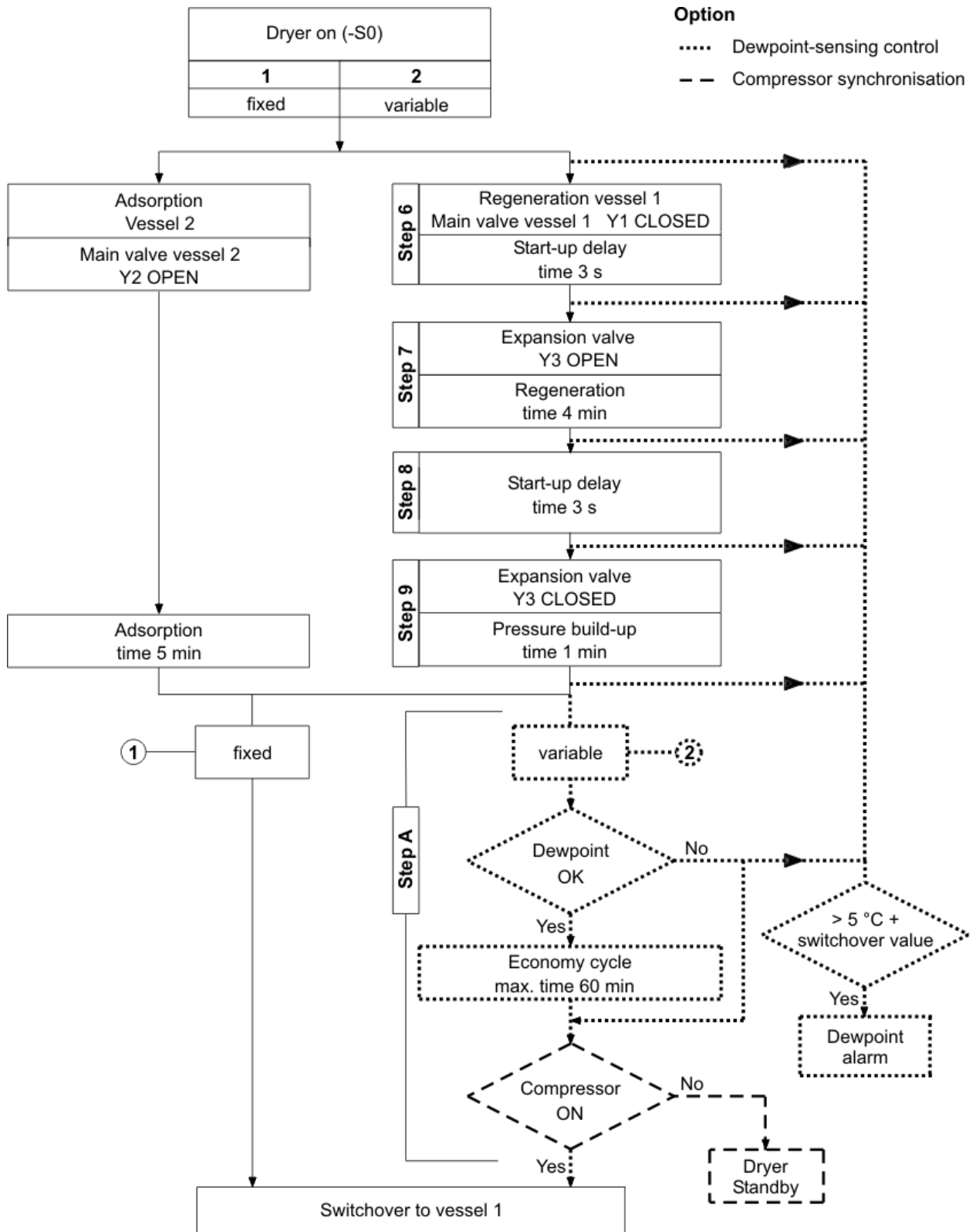
Order-Id.	BSP-MT 1	BSP-MT 2	BSP-MT 3	BSP-MT 4	BSP-MT 6	BSP-MT 7	BSP-MT 8
<b>12 months – drying agent</b>							
DESPAC2EF	1	2	3	4	7	9	11
<b>12 months – purifying agent</b>							
DESPAC3AK	1	1	1	1	1	2	2
DESPAC1KTY	1	2	3	4	7	8	
DESPAC4KTY							1

# Logic control diagram

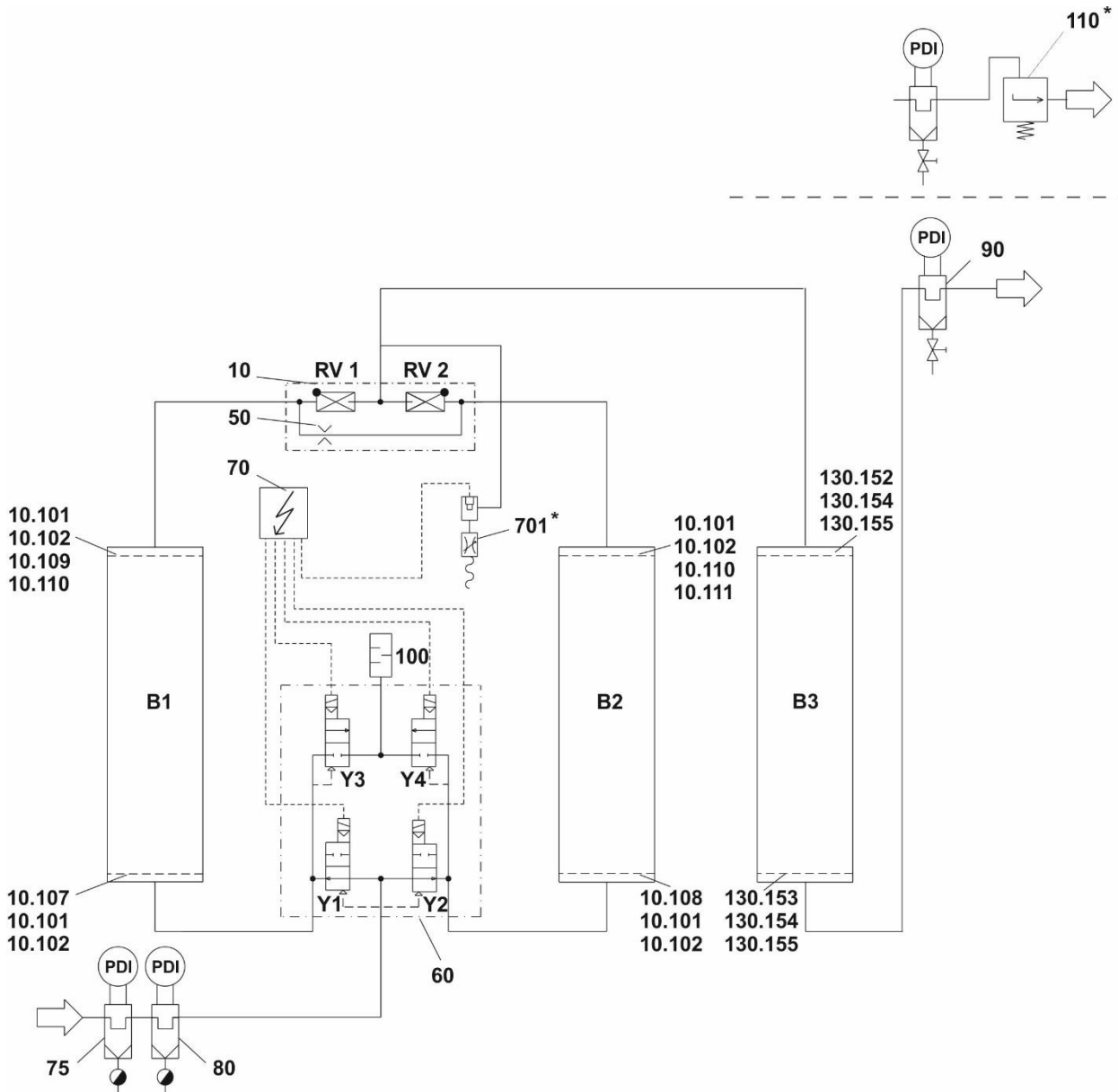
## Adsorption in B1 and regeneration in B2



## Regeneration in B1 and adsorption in B2



# Flow diagram

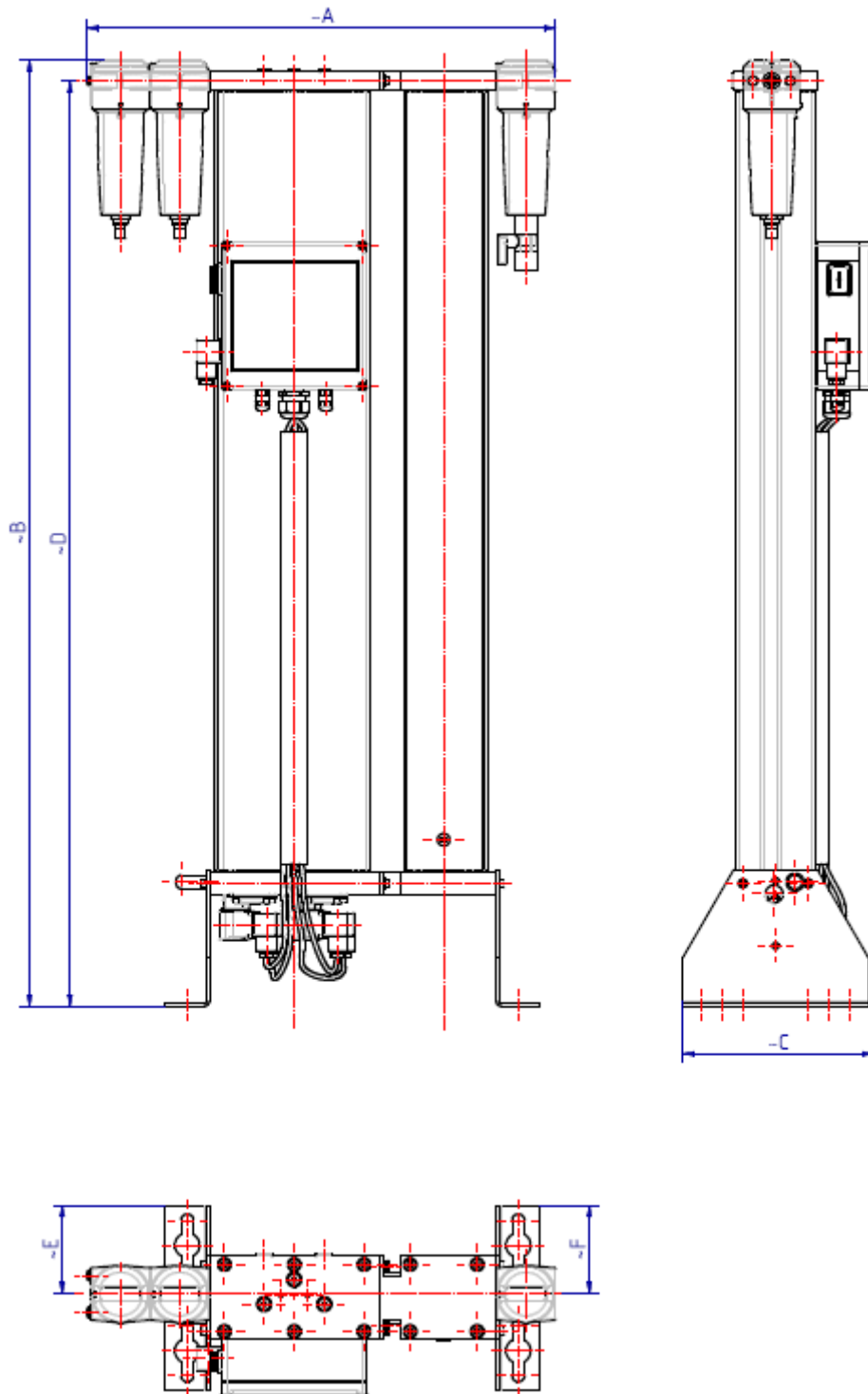


Pos.	Designation
10	Check valve plate
10.101	Seal
10.102	Perforated plate
10.107	Demister, left
10.108	Demister, right
10.109	Perforated plate left
10.110	Conical pressure spring
10.111	Perforated plate right
50	Regeneration gas orifice plate
60	Control unit
70	Control system
75	Upstream filter

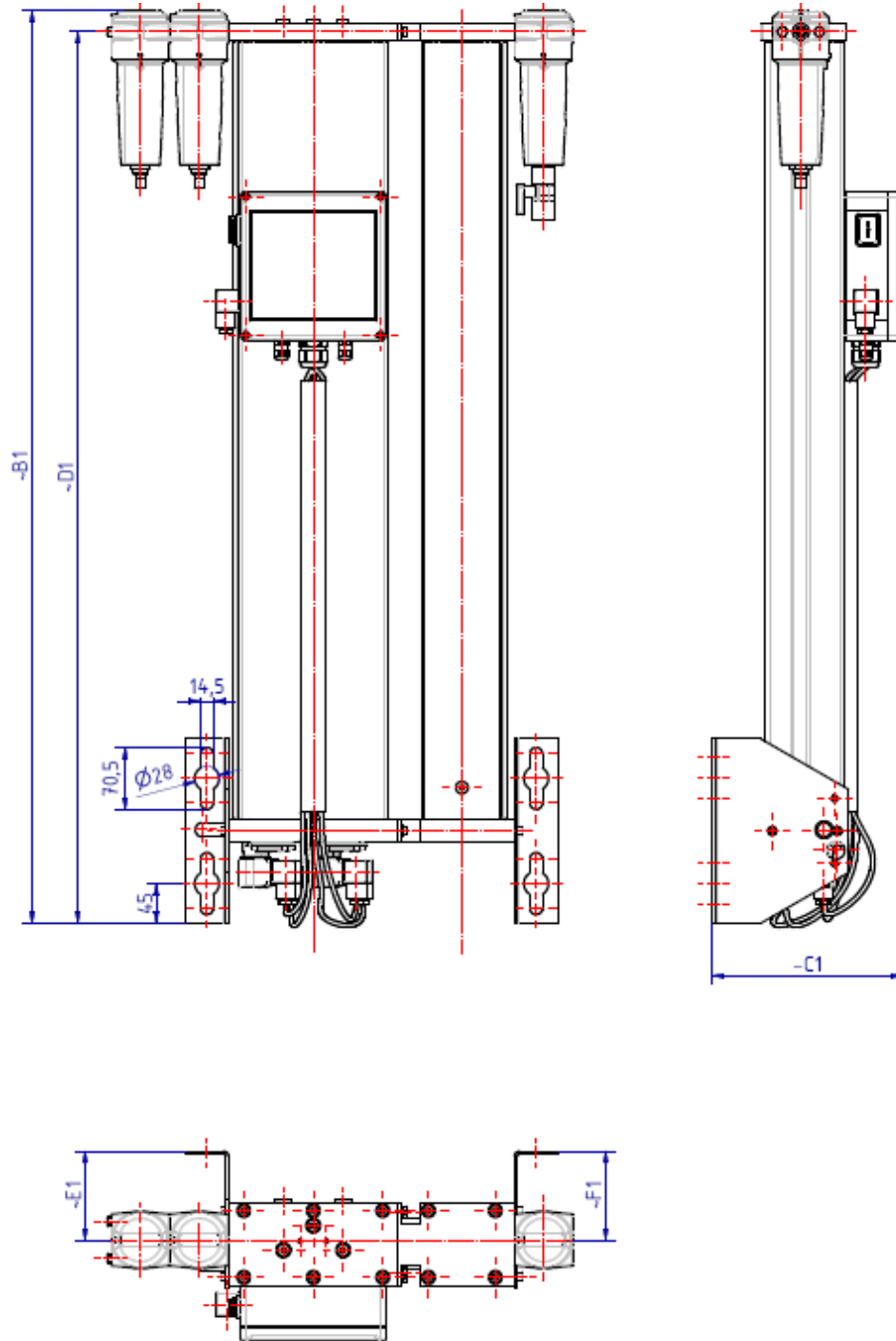
Pos.	Designation
80	Upstream filter
90	Downstream filter
100	Muffler
130.152	Top plate
130.153	Bottom plate
130.154	Seal
130.155	Perforated plate
*	Optional devices:
110	Start-up device
701	Dewpoint-sensing unit

## Dimensional drawing

### Installation on floor



### Installation on wall



4

Type	BSP-P/ NPT	Dimensions [mm]											Weight [kg]
		A	B	B1	C	C1	D	D1	E	E1	F	F1	
BSP-MT 1	1/4"	530	400	365	216	217	376	342	101	101	101	101	16,5
BSP-MT 2	1/4"	530	575	540	216	217	551	517	101	101	101	101	21,5
BSP-MT 3	1/4"	530	825	790	216	217	801	767	101	101	101	101	29,0
BSP-MT 4	1/4"	530	1075	1040	216	217	1051	1017	101	101	101	101	36,0
BSP-MT 6	1/2"	730	1203	1135	300	255	1097	1029	132	109	132	109	75,0
BSP-MT 7	1/2"	730	1428	1360	300	255	1322	1254	132	109	132	109	85,0
BSP-MT 8	3/4"	730	1628	1560	300	255	1522	1454	132	109	132	109	97,0



